




PURCHASING DEPARTMENT

Madison County Board of Supervisors
146 West Center Street
Canton, MS 39046 / 601-855-5534
kesha.buckner@madison-co.com

September 21, 2020

To: Board of Supervisors
From: Kesha Buckner, Purchasing Clerk 
Subject: Award Commodity Term Bids

Attached are copies of the results of recent reverse auction for commodity term bids.

I recommend that the Board take the following action:

- (A) Acknowledge all bids received;
 - (B) (1.) G&O Supply, submitted bid pricing for 18" Diameter by Foot HDPE (Plastic Pipe) and (2.) 30" Band Aluminized CMP during the reverse auction, G&O notified us that they incorrectly submitted pricing that was lower than they anticipate. Reject bids pricing for the (1) & (2) that was submitted by G&O Supply.
1. Award the Term Bid for SC1-Type 8 Asphalt for the period October 1, 2020 – September 30, 2021 to APAC at \$67.50 per ton.
 2. Award the Term Bid for SC1-Type 2 Asphalt for the period October 1, 2020 – September 30, 2021 to APAC-Canton at \$66.00 per ton.
 3. Award the First Alternate Term Bid for SC1-Type 2 Asphalt for the period October 1, 2020 – September 30, 2021 to APAC-Jackson for \$64.00 per ton.
 4. Award the Term Bid for CRS2-Liquid Asphalt for the period October 1, 2020 – September 30, 2021 to Ergon at \$3.30 per gallon.
 5. Award the Term Bid for Cold Mix Asphalt for the period October 1, 2020 – September 30, 2021 to APAC at \$140.00 per ton.

6. Award the Term Bid for BB-1 Asphalt for period October 1, 2020 – September 30, 2021 to APAC-Canton at \$64.00 per ton.
7. Award the First Alternate Term Bid for BB-1 Asphalt for period October 1, 2020 – September 30, 2021 to APAC-Jackson at \$64.00 per ton.
8. Award the Term Bid for Clay Gravel for the period October 1, 2020 – September 30, 2021 to Hammett Gravel at \$6.00 per ton.
9. Award the First Alternate Term Bid Clay Gravel for the period October 1, 2020 – September 30, 2021 to APAC-Canton at \$6.50 per ton.
10. Award the Term Bid for 30”Diameter by Foot HDPE (Plastic Pipe) for the period October 1, 2020 – September 30, 2021 to G&O Supply at \$30.16.
11. Award the Term Bid 24” Diameter by Foot HDPE (Plastic Pipe) for the period October 1, 2020 – September 30, 2021 to G&O Supply at \$21.77.
12. Award the Term Bid 12” Diameter by Foot HDPE (Plastic Pipe) for the period October 1, 2020 – September 30, 2021 to G&O Supply at \$7.07.
13. Award the Term Bid 24” Band HDPE (Plastic Pipe) for the period October 1, 2020 – September 30, 2021 to G&O Supply at \$45.76.
14. Award the Term Bid 30” Band HDPE (Plastic Pipe) for the period October 1, 2020 – September 30, 2021 to G&O Supply at \$106.37.
15. Award the Term Bid 24” Diameter by Foot Aluminized CMP for the period October 1, 2020 – September 30, 2021 to G&O Supply at \$30.86.
16. Award the Term Bid 24” Band Aluminized CMP for the period October 1, 2020 – September 30, 2021 to G&O Supply at \$92.61.
17. Award the Term Bid for 30” Diameter by Foot Aluminized CMP for the period October 1, 2020 – September 30, 2021 to G&O Supply at \$38.57.
18. Award the Term Bid for Washed Road Gravel for the period October 1, 2020 – September 30, 2021 to Hammett Gravel at \$14.00.

Southern Pipe submitted specifications to indicate that they were interested in bidding on the 30”; 24”; 15”; 18”; and 12” Diameter by Foot HDPE (Plastic Pipe); 24”; and 30” Band HDPE (Plastic Pipe); 24”; and 30” Diameter by Foot Aluminized CMP; and 24”; and 30” Band Aluminized CMP. Ultimately, they did not participate in the reverse auction.

Mississippi Commission Archives Planning and Zoning Bid Tool Email Manager Help Bid Tool

- [Create New Bid](#)
- [View Pending Bids](#)
- [View Open Bids](#)
- [View Closed Bids](#)
- [View Public Log](#)
- [Bid System Log](#)
- [Permissions](#)
- Current Time: 09-10-2020 08:30:43 am

Show entries

Search:

ID	Name	Phone	Email	Company Name	Date Submitted	Bid Amount	View Bid
2440	terry May	(601) 376-4000	john.may@apac.com	APAC-Mississippi INC	09-09-2020 10:03:00 am	\$67.50	
2455	terry May	(601) 376-4000	john.may@apac.com	APAC-Mississippi INC--- Jackson	09-09-2020 10:18:19 am	\$67.50	

Showing 1 to 2 of 2 entries

[Previous](#) 1 [Next](#)

SC1-Type 8 Asphalt

- [Create New Bid](#)
- [View Pending Bids](#)
- [View Open Bids](#)
- [View Closed Bids](#)
- [View Public Log](#)
- [Bid System Log](#)
- [Permissions](#)
- Current Time: 09-10-2020 08:31:44 am

Show entries

Search:

ID	Name	Phone	Email	Company Name	Date Submitted	Bid Amount	View Bid
2445	terry May	(601) 376-4000	john.may@apac.com	APAC-Mississippi INC	09-09-2020 10:05:09 am	\$66.00	
2456	terry May	(601) 376-4000	john.may@apac.com	APAC-Mississippi INC—Jackson	09-09-2020 10:19:13 am	\$64.00	

Showing 1 to 2 of 2 entries

[Previous](#) 1 [Next](#)

SCI-Type 2 Asphalt

Create New Bid

View Pending Bids

View Open Bids

View Closed Bids

View Public Log

Bid System Log

Permissions

Current Time: 09-10-2020 08:32:37 am

Show 10 entries

Search:

ID	Name	Phone	Email	Company Name	Date Submitted	Bid Amount	View Bid
2441	Teresa Purifoy	(601) 933-3387	teresa.purifoy@ergon.com	Ergon Asphalt & Emulsions, Inc.	09-09-2020 10:03:19 am	\$3.30	

Showing 1 to 1 of 1 entries

[Previous](#) 1 [Next](#)

CRS 2-Liquid Asphalt

- Create New Bid
- View Pending Bids
- View Open Bids
- View Closed Bids
- View Public Log
- Bid System Log
- Permissions
- Current Time: 09-10-2020 08:33:25 am

Show entries Search:

ID	Name	Phone	Email	Company Name	Date Submitted	Bid Amount	View Bid
2448	terry May	(601) 376-4000	john.may@apac.com	APAC-Mississippi INC	09-09-2020 10:05:57 am	\$140.00	

Showing 1 to 1 of 1 entries
Previous 1 Next

Cold mix Asphalt

Resolution Commission Archives Planning and Zoning Bid Tool Email Manager Help Bid Tool

- [Create New Bid](#)
- [View Pending Bids](#)
- [View Open Bids](#)
- [View Closed Bids](#)
- [View Public Log](#)
- [Bid System Log](#)
- [Permissions](#)
- Current Time: 09-10-2020 08:34:05 am

Show entries

Search:

ID	Name	Phone	Email	Company Name	Date Submitted	Bid Amount	View Bid
2450	terry May	(601) 376-4000	john.may@apac.com	APAC-Mississippi INC	09-09-2020 10:08:38 am	\$64.00	
2457	terry May	(601) 376-4000	john.may@apac.com	APAC-Mississippi INC—Jackson	09-09-2020 10:21:28 am	\$64.00	

Showing 1 to 2 of 2 entries

[Previous](#) 1 [Next](#)

BBI-Asphalt

Create New Bid

View Pending Bids

View Open Bids

View Closed Bids

View Public Log

Bid System Log

Permissions

Current Time: 09-10-2020 08:35:25 am

Show 10 entries

Search:

ID	Name	Phone	Email	Company Name	Date Submitted	Bid Amount	View Bid
2437	Tim Deason	(662) 834-1867	tim.deason@hammett-gravel.com	Hammelt Gravel Company, Inc.	09-09-2020 10:02:19 am	\$5.00	
2453	terry May	(601) 376-4000	john.may@apac.com	APAC-Mississippi INC	09-09-2020 10:07:18 am	\$6.50	

Showing 1 to 2 of 2 entries

[Previous](#) 1 [Next](#)

Clay Gravel

Resolution Commission Archives Planning and Zoning Bid Tool Email Manager Help Bid Tool

- [Create New Bid](#)
- [View Pending Bids](#)
- [View Open Bids](#)
- [View Closed Bids](#)
- [View Public Log](#)
- [Bid System Log](#)

Show entries

Search:

ID	Name	Phone	Email	Company Name	Date Submitted	Bid Amount	View Bid
2452	Davis Broadwater	(601) 421-8926	dbroadwater@gosupplyinc.com	G&O Supply Co., Inc.	09-09-2020 10:07:00 am	\$30.16	

Permissions
Current Time: 09-10-2020 08:39:42 am

Showing 1 to 1 of 1 entries
[Previous](#) 1 [Next](#)

30" Diameter by Foot HDPE (Plastic Pipe)

Municipal Commission Archives Planning and Zoning Bid Tool Email Manager Help Bid Tool

Create New Bid

View Pending Bids

View Open Bids

View Closed Bids

View Public Log

Bid System Log

Permissions

Current Time: 09-10-2020 08:39:01 am

Show 10 entries

Search:

ID	Name	Phone	Email	Company Name	Date Submitted	Bid Amount	View Bid
2447	Davis Broadwater	(601) 421-8926	dbroadwater@gosupplyinc.com	G&O Supply Co., Inc.	09-09-2020 10:05:27 am	\$21.77	

Showing 1 to 1 of 1 entries

[Previous](#) 1 [Next](#)

24" Diameter by Foot HDPE (Plastic Pipe)

Create New Bid

View Pending Bids

View Open Bids

View Closed Bids

View Public Log

Bid System Log

Permissions

Current Time: 09-10-2020 08:38:36 am

Show 10 entries

Search:

ID	Name	Phone	Email	Company Name	Date Submitted	Bid Amount	View Bid
2438	Davis Broadwater	(601) 421-8926	dbroadwater@gosupplyinc.com	G&O Supply Co., Inc.	09-09-2020 10:02:50 am	\$9.71	
2443	Davis Broadwater	(601) 421-8926	dbroadwater@gosupplyinc.com	G&O Supply Co., Inc.	09-09-2020 10:03:58 am	\$12.93	

Showing 1 to 2 of 2 entries

[Previous](#) 1 [Next](#)

18" Diameter by Foot HDPE (Plastic Pipe)

Create New Bid

View Pending Bids

View Open Bids

View Closed Bids

View Public Log

Bid System Log

Permissions

Current Time: 09-10-2020 08:37:52 am

Show 10 entries

Search:

ID	Name	Phone	Email	Company Name	Date Submitted	Bid Amount	View Bid
2436	Davis Broadwater	(601) 421-8926	dbroadwater@gosupplyinc.com	G&O Supply Co., Inc.	09-09-2020 10:01:37 am	\$7.07	

Showing 1 to 1 of 1 entries

[Previous](#) 1 [Next](#)

1/2" Diameter by Foot HDPE (Plastic Pipe)

Create New Bid

View Pending Bids

View Open Bids

View Closed Bids

View Public Log

Bid System Log

Permissions

Current Time: 09-10-2020 08:44:14 am

Show 10 entries

Search:

ID	Name	Phone	Email	Company Name	Date Submitted	Bid Amount	View Bid
2449	DAVIS BROADWATER	(601) 421-8926	dbroadwater@gosupplyinc.com	G & O Supply Co., Inc.	09-09-2020 10:06:35 am	\$45.76	

Showing 1 to 1 of 1 entries

[Previous](#) 1 [Next](#)

24" Band-HDPE (Plastic Pipe)

Resolution Commission Archives Planning and Zoning Bid Tool Email Manager Help Bid Tool

Create New Bid

View Pending Bids

View Open Bids

View Closed Bids

View Public Log

Bid System Log

Permissions

Current Time: 09-10-2020 08:45:32 am

Show 10 entries

Search:

ID	Name	Phone	Email	Company Name	Date Submitted	Bid Amount	View Bid
2454	DAVIS BROADWATER	(601) 421-8926	dbroadwater@gosupplyinc.com	G & O Supply Co., Inc.	09-09-2020 10:08:04 am	\$106.37	

Showing 1 to 1 of 1 entries

[Previous](#) 1 [Next](#)

30" Band - HDPE (Plastic Pipe)

[Create New Bid](#)

[View Pending Bids](#)

[View Open Bids](#)

[View Closed Bids](#)

[View Public Log](#)

[Bid System Log](#)

[Permissions](#)

Current Time: 09-10-2020 08:48:24 am

Show entries

Search:

ID	Name	Phone	Email	Company Name	Date Submitted	Bid Amount	View Bid
2435	Davis Broadwater	(601) 421-8926	dbroadwater@gosupplyinc.com	G&O Supply	09-09-2020 10:01:33 am	\$30.88	

Showing 1 to 1 of 1 entries

[Previous](#) [1](#) [Next](#)

24" Diameter by Foot - Aluminized CRP

- Create New Bid
- View Pending Bids
- View Open Bids
- View Closed Bids
- View Public Log
- Bid System Log
- Permissions
- Current Time: 09-10-2020 08:49:31 am

Show 10 entries

Search:

ID	Name	Phone	Email	Company Name	Date Submitted	Bid Amount	View Bid
2446	Davis Broadwater	(601) 421-8926	dbroadwater@gosupplyinc.com	G&O Supply	09-09-2020 10:05:26 am	\$38.57	

Showing 1 to 1 of 1 entries

[Previous](#) 1 [Next](#)

30' Diameter by Foot Aluminized CMP

Resolution Commission Archives Planning and Zoning Bid Tool Email Manager Help Bid Tool

Create New Bid

View Pending Bids

View Open Bids

View Closed Bids

View Public Log

Bid System Log

Permissions

Current Time: 09-10-2020 08:47:21 am

Show 10 entries

Search:

ID	Name	Phone	Email	Company Name	Date Submitted	Bid Amount	View Bid
2439	Davis Broadwater	(601) 421-8926	davis.broadwater@gosupplyinc.com	G&O Supply	09-09-2020 10:02:55 am	\$92.61	

Showing 1 to 1 of 1 entries

[Previous](#) 1 [Next](#)

24" Bend Aluminized CMP

Create New Bid

View Pending Bids

View Open Bids

View Closed Bids

View Public Log

Bid System Log

Permissions

Current Time: 09-10-2020 08:48:26 am

Show 10 entries

Search:

ID	Name	Phone	Email	Company Name	Date Submitted	Bid Amount	View Bid
2444	Davis Broadwater	(601) 421-8926	dbroadwater@gosupplyinc.com	G&O Supply	09-09-2020 10:04:32 am	\$38.57	
2451	Davis Broadwater	(601) 421-8926	dbroadwater@gosupplyinc.com	G&O Supply	09-09-2020 10:06:58 am	\$115.71	

Showing 1 to 2 of 2 entries

Previous 1 Next

30" Band Aluminized CRP

Create New Bid

View Pending Bids

View Open Bids

View Closed Bids

View Public Log

Bid System Log

Permissions

Current Time: 09-10-2020 08:50:27 am

Show entries

Search:

ID	Name	Phone	Email	Company Name	Date Submitted	Bid Amount	View Bid
2442	Tim Deason	(662) 834-1867	tim.deason@hammett-gravel.com	Hammett Gravel Company, Inc.	09-09-2020 10:03:25 am	\$14.00	

Showing 1 to 1 of 1 entries

[Previous](#) 1 [Next](#)

Washed Road Gravel

Kesha Buckner

From: d broadwater <dbroadwater@gosupplyinc.com>
Sent: Wednesday, September 9, 2020 11:11 AM
To: Kesha Buckner
Subject: Re: Reversed Auction

CAUTION! *External Content. Please use caution when opening attachments and links. Do not provide your username and password if requested.*

Kesha

On the 30" CMP Aluminized Band we incorrectly entered \$38.57/ea but it should be \$115.71/EA
Not the 18" HDPE Pipe/LF we incorrectly entered \$9.71/LF and it should be \$12.93/LF

We reentered the correct price during the reverse auction but of course it takes the lowest bid. G&O Supply cannot honor the lower prices on the two mentioned products.

Thank You

Davis

Davis M Broadwater
Ph: 601-421-8926
Fax: 601-608-7874
Email: dbroadwater@gosupplyinc.com
www.gosupplyinc.com

"I doze but never close"

From: Kesha Buckner <Kesha.Buckner@madison-co.com>
Date: Wednesday, September 9, 2020 at 10:56 AM
To: Davis Broadwater <dbroadwater@gosupplyinc.com>
Subject: RE: Reversed Auction

Good Morning Mr. Broadwater,

On the conversation this morning regarding the incorrect amount that you are bidding, please send me an email so that I may attach it with your bid. As I stated earlier I will not be able to change the bid amount that you submitted.

Thanks,

Kesha Buckner

MADISON COUNTY BOARD OF SUPERVISORS
Administrative Assistant/Purchase Clerk

146 West Center Street
P.O. Box 608
Canton, MS 39046
(601) 790-2590 (*BOS office*)
(601) 855-5534 (*direct*)
Email: keshha.buckner@madison-co.com

From: d broadwater <dbroadwater@gosupplyinc.com>
Sent: Tuesday, September 8, 2020 7:54 PM
To: Kesha Buckner <Kesha.Buckner@madison-co.com>
Subject: Re: Reversed Auction

CAUTION! *External Content. Please use caution when opening attachments and links. Do not provide your username and password if requested.*

What was wrong with the submittal?

Davis

Davis M Broadwater
Ph: 601-421-8926
Fax: 601-608-7874
Email: dbroadwater@gosupplyinc.com
www.gosupplyinc.com

"I doze but never close"

From: Kesha Buckner <Kesha.Buckner@madison-co.com>
Date: Tuesday, September 8, 2020 at 10:52 AM
To: Davis Broadwater <dbroadwater@gosupplyinc.com>
Subject: RE: Reversed Auction

15" Diameter by Foot HDPE (Plastic Pipes) was rejected because it was submitted incorrectly.

Thanks,

Kesha Buckner

MADISON COUNTY BOARD OF SUPERVISORS
Administrative Assistant/Purchase Clerk
146 West Center Street
P.O. Box 608
Canton, MS 39046
(601) 790-2590 (*BOS office*)
(601) 855-5534 (*direct*)
Email: keshha.buckner@madison-co.com

From: Keshia Buckner
Sent: Tuesday, September 8, 2020 10:44 AM
To: 'dbroadwater@gosupplyinc.com' <dbroadwater@gosupplyinc.com>
Subject: Reversed Auction

The specifications that was submitted by you for 12" Diameter by Foot HDPE (Plastic Pipes); 18" Diameter by Foot HDPE (Plastic Pipes); 24" Diameter by Foot HDPE (Plastic Pipes); 30" Diameter by Foot HDPE (Plastic Pipes); 24" Band-HDPE (Plastic Pipes); 30" Band-HDPE (Plastic Pipes); 24" Diameter by Foot-Aluminized CMP (Pipes)(14 Gauge Type 2); 24" Band-Aluminized CMP(Pipes)(14 Gauge Type 2); 30 Band-Aluminized CMP (Pipes)(14 Gauge Type 2); 30" Diameter by Foot-Aluminized CMP (Pipes) (14 Gauge Type 2) on September 3, 2020, has been accepted.

Please see the following links below to submit your bid cost for the Reverse Auction which will begin, Wednesday, September 9, 2020 at 10:00 a.m.

<http://tools.madison-co.net/bids?bid-id=160> – 12" Diameter by Foot HDPE (Plastic Pipes)

<http://tools.madison-co.net/bids?bid-id=162> - 18" Diameter by Foot HDPE (Plastic Pipes)

<http://tools.madison-co.net/bids?bid-id=163> - 24" Diameter by Foot HDPE (Plastic Pipes)

<http://tools.madison-co.net/bids?bid-id=164> - 30" Diameter by Foot HDPE (Plastic Pipes)

<http://tools.madison-co.net/bids?bid-id=165> - 24" Band-HDPE (Plastic Pipes)

<http://tools.madison-co.net/bids?bid-id=166> - 30" Band-HDPE (Plastic Pipes)

<http://tools.madison-co.net/bids?bid-id=167> - 24" Diameter by Foot-Aluminized CMP (Pipes)(14 Gauge Type 2)

<http://tools.madison-co.net/bids?bid-id=168> - 24" Band-Aluminized CMP(Pipes)(14 Gauge Type 2)

<http://tools.madison-co.net/bids?bid-id=169> - 30 Band-Aluminized CMP (Pipes)(14 Gauge Type 2)

<http://tools.madison-co.net/bids?bid-id=170> - 30" Diameter by Foot-Aluminized CMP (Pipes) (14 Gauge Type 2)

Keshia Buckner

MADISON COUNTY BOARD OF SUPERVISORS
Administrative Assistant/Purchase Clerk
146 West Center Street
P.O. Box 608
Canton, MS 39046
(601) 790-2590 (*BOS office*)
(601) 855-5534 (*direct*)
Email: keshia.buckner@madison-co.com

MADISON COUNTY BOARD OF SUPERVISORS

**SPECIFICATION SUBMITTAL SHEET
(NO PRICES)**

**TERM BID FOR PERIOD OCTOBER 1, 2020 – SEPTEMBER 30, 2021
SC1-TYPE 8 ASPHALT
TO PICKED UP BY MADISON COUNTY**

**SPECIFICATION SUBMITTAL SHEET
DEADLINE: SEPTEMBER 3, 2020 – 10:00 A.M.**

Vendors' specification submittal sheet (with no prices) will be received until 10:00 A.M. on Thursday, September 3, 2020. Vendors may submit their specification submittal sheets using either of the two following methods:

1. Electronically at <http://www.madison-co.com/bids>.
2. In a sealed envelope to the Madison County Chancery Clerk's office located in the Madison County Chancery Courthouse, Rooms 225-228, 146 West North Street, Canton, MS 39046. Specification submittal sheets submitted in paper form must have "Term Bids Specifications" written on the outside of the sealed envelope.

Vendors' term bid specification submittal sheets will be evaluated and vendors submitting acceptable specifications will be invited by email to submit priced bids via a live electronic reverse auction or sealed paper bids.

Final bidding for term bids will be held by live electronic reverse auctions on Tuesday, September 9, 2020 beginning at 10:00 A.M., with a scheduled ending time of 11:00 A.M. Qualified vendors can access the live reverse auction via the links distributed by email to qualified vendors. Anti-sniping will be utilized for the live electronic reverse auctions, which means that the bid deadline countdown will automatically reset to 5 minutes anytime a bid is received within the final 5 minutes of the reverse auction. The anti-sniping tool can extend the bid deadline multiple times until no bid is received in the final five minutes of the reverse auction.

Sealed bids may be submitted to the Madison County Chancery Clerk's office located in the Madison County Chancery Courthouse, Rooms 225-228, 146 West North Street, Canton, MS 39046 until 10:00 A.M. on Thursday, September 3, 2020. Sealed bids received by 10:00 A.M. on Tuesday, September 9, 2020 will be entered in the live electronic reverse auction by the county purchasing department. All paper bids must have "Term Bid" and "SC1-Type 8 Asphalt" and written on the outside of the sealed envelope.

MADISON COUNTY BOARD OF SUPERVISORS

**SPECIFICATION SUBMITTAL SHEET
(NO PRICES)**

**TERM BID FOR PERIOD OCTOBER 1, 2020 – SEPTEMBER 30, 2021
SC1-TYPE 8 ASPHALT
TO PICKED UP BY MADISON COUNTY**

**SPECIFICATION SUBMITTAL SHEET
DEADLINE: SEPTEMBER 3, 2020 – 10:00 A.M.**

Vendors' specification submittal sheet (with no prices) will be received until 10:00 A.M. on Thursday, September 3, 2020. Vendors may submit their specification submittal sheets using either of the two following methods:

1. Electronically at <http://www.madison-co.com/bids>.
2. In a sealed envelope to the Madison County Chancery Clerk's office located in the Madison County Chancery Courthouse, Rooms 225-228, 146 West North Street, Canton, MS 39046. Specification submittal sheets submitted in paper form must have "Term Bids Specifications" written on the outside of the sealed envelope.

Vendors' term bid specification submittal sheets will be evaluated and vendors submitting acceptable specifications will be invited by email to submit priced bids via a live electronic reverse auction or sealed paper bids.

Final bidding for term bids will be held by live electronic reverse auctions on Tuesday, September 9, 2020 beginning at 10:00 A.M., with a scheduled ending time of 11:00 A.M. Qualified vendors can access the live reverse auction via the links distributed by email to qualified vendors. Anti-sniping will be utilized for the live electronic reverse auctions, which means that the bid deadline countdown will automatically reset to 5 minutes anytime a bid is received within the final 5 minutes of the reverse auction. The anti-sniping tool can extend the bid deadline multiple times until no bid is received in the final five minutes of the reverse auction.

Sealed bids may be submitted to the Madison County Chancery Clerk's office located in the Madison County Chancery Courthouse, Rooms 225-228, 146 West North Street, Canton, MS 39046 until 10:00 A.M. on Thursday, September 3, 2020. Sealed bids received by 10:00 A.M. on Tuesday, September 9, 2020 will be entered in the live electronic reverse auction by the county purchasing department. All paper bids must have "Term Bid" and "SC1-Type 8 Asphalt" and written on the outside of the sealed envelope.

NOTE: ALL FEDERAL TAXES AND FEES SHALL BE INCLUDED IN BID PRICES. ALL BID PRICES ARE LIMITED TO DOLLARS AND CENTS ONLY. NO FRACTIONS OF A CENT.

For use in determining if a vendor's location excludes it from participating in the reverse auction and in our calculations of lowest and best bid, note here the number of miles from your company plant to the Madison County Road Department:

29.5 Miles

The below signed company agrees that if it is awarded a Term Bid by the Madison County Board of Supervisors for SC1-Type 8 Asphalt that it will provide said product in a timely manner at the awarded term bid price for the duration of said term bid period. The below signed company further agrees that it will not load quantities of SC1-Type 8 Asphalt on Madison County trucks in an amount greater than is listed on the purchase order for each specific order. Furthermore, the below signed company agrees that in the event that it does load quantities of SC1-Type 8 Asphalt in quantities greater than is listed on the purchase order for a specific order that that it will neither bill nor hold Madison County responsible for the quantity of SC1-Type 8 Asphalt that exceeds the purchase order amount.

COMPANY NAME: APAC-Mississippi, Inc.

ADDRESS: P.O. Box 24508

Tulsa, Ok 74125-4508

TELEPHONE: 601-876-4000

CELL PHONE NUMBER: 601-954-8766

EMAIL: john.may@apac.com

Terry May
AUTHORIZED REPRESENTATIVE'S SIGNATURE

8-12-2020
DATE

Terry May
PRINT AUTHORIZED REPRESENTATIVE'S NAME HERE

NOTE: ALL BID SHEETS MUST BE SIGNED AND DATED BY AN AUTHORIZED COMPANY REPRESENTATIVE.

MADISON COUNTY BOARD OF SUPERVISORS

**SPECIFICATION SUBMITTAL SHEET
(NO PRICES)**

**TERM BID FOR PERIOD OCTOBER 1, 2020 – SEPTEMBER 30, 2021
SC1-TYPE 2 ASPHALT
TO PICKED UP BY MADISON COUNTY**

**SPECIFICATION SUBMITTAL SHEET
DEADLINE: SEPTEMBER 3, 2020 – 10:00 A.M.**

Vendors' specification submittal sheet (with no prices) will be received until 10:00 A.M. on Thursday, September 3, 2020. Vendors may submit their specification submittal sheets using either of the two following methods:

1. Electronically at <http://www.madison-co.com/bids>.
2. In a sealed envelope to the Madison County Chancery Clerk's office located in the Madison County Chancery Courthouse, Rooms 225-228, 146 West North Street, Canton, MS 39046. Specification submittal sheets submitted in paper form must have "Term Bids Specifications" written on the outside of the sealed envelope.

Vendors' term bid specification submittal sheets will be evaluated and vendors submitting acceptable specifications will be invited by email to submit priced bids via a live electronic reverse auction or sealed paper bids.

Final bidding for term bids will be held by live electronic reverse auctions on Tuesday, September 9, 2020 beginning at 10:00 A.M., with a scheduled ending time of 11:00 A.M. Qualified vendors can access the live reverse auction via the links distributed by email to qualified vendors. Anti-sniping will be utilized for the live electronic reverse auctions, which means that the bid deadline countdown will automatically reset to 5 minutes anytime a bid is received within the final 5 minutes of the reverse auction. The anti-sniping tool can extend the bid deadline multiple times until no bid is received in the final five minutes of the reverse auction.

Sealed bids may be submitted to the Madison County Chancery Clerk's office located in the Madison County Chancery Courthouse, Rooms 225-228, 146 West North Street, Canton, MS 39046 until 10:00 A.M. on Thursday, September 3, 2020. Sealed bids received by 10:00 A.M. on Tuesday, September 9, 2020 will be entered in the live electronic reverse auction by the county purchasing department. All paper bids must have "Term Bid" and "SC1-Type 2 Asphalt" and written on the outside of the sealed envelope.

NOTE: ALL FEDERAL TAXES AND FEES SHALL BE INCLUDED IN BID PRICES. ALL BID PRICES ARE LIMITED TO DOLLARS AND CENTS ONLY. NO FRACTIONS OF A CENT.

For use in determining if a vendor's location excludes it from participating in the reverse auction and in our calculations of lowest and best bid, note here the number of miles from your company plant to the Madison County Road Department:

29.5 Miles

The below signed company agrees that if it is awarded a Term Bid by the Madison County Board of Supervisors for SC1-Type 2 Asphalt that it will provide said product in a timely manner at the awarded term bid price for the duration of said term bid period. The below signed company further agrees that it will not load quantities of SC1-Type 2 Asphalt on Madison County trucks in an amount greater than is listed on the purchase order for each specific order. Furthermore, the below signed company agrees that in the event that it does load quantities of SC1-Type 2 Asphalt in quantities greater than is listed on the purchase order for a specific order that that it will neither bill nor hold Madison County responsible for the quantity of SC1-Type 2 Asphalt that exceeds the purchase order amount.

COMPANY NAME: APAC-Mississippi, Inc

ADDRESS: P.O. Box 24508
Jackson, Ms 39225-4508

TELEPHONE: 601-376-4000

CELL PHONE NUMBER: 601-954-8766

EMAIL: john.way@apac.com

Terry May 8-12-2020
AUTHORIZED REPRESENTATIVE'S SIGNATURE DATE

Terry May
PRINT AUTHORIZED REPRESENTATIVE'S NAME HERE

NOTE: ALL BID SHEETS MUST BE SIGNED AND DATED BY AN AUTHORIZED COMPANY REPRESENTATIVE.

MADISON COUNTY BOARD OF SUPERVISORS

**SPECIFICATION SUBMITTAL SHEET
(NO PRICES)**

**TERM BID FOR PERIOD OCTOBER 1, 2020 – SEPTEMBER 30, 2021
SC1-TYPE 2 ASPHALT
TO PICKED UP BY MADISON COUNTY**

**SPECIFICATION SUBMITTAL SHEET
DEADLINE: SEPTEMBER 3, 2020 – 10:00 A.M.**

Vendors' specification submittal sheet (with no prices) will be received until 10:00 A.M. on Thursday, September 3, 2020. Vendors may submit their specification submittal sheets using either of the two following methods:

1. Electronically at <http://www.madison-co.com/bids>.
2. In a sealed envelope to the Madison County Chancery Clerk's office located in the Madison County Chancery Courthouse, Rooms 225-228, 146 West North Street, Canton, MS 39046. Specification submittal sheets submitted in paper form must have "Term Bids Specifications" written on the outside of the sealed envelope.

Vendors' term bid specification submittal sheets will be evaluated and vendors submitting acceptable specifications will be invited by email to submit priced bids via a live electronic reverse auction or sealed paper bids.

Final bidding for term bids will be held by live electronic reverse auctions on Tuesday, September 9, 2020 beginning at 10:00 A.M., with a scheduled ending time of 11:00 A.M. Qualified vendors can access the live reverse auction via the links distributed by email to qualified vendors. Anti-sniping will be utilized for the live electronic reverse auctions, which means that the bid deadline countdown will automatically reset to 5 minutes anytime a bid is received within the final 5 minutes of the reverse auction. The anti-sniping tool can extend the bid deadline multiple times until no bid is received in the final five minutes of the reverse auction.

Sealed bids may be submitted to the Madison County Chancery Clerk's office located in the Madison County Chancery Courthouse, Rooms 225-228, 146 West North Street, Canton, MS 39046 until 10:00 A.M. on Thursday, September 3, 2020. Sealed bids received by 10:00 A.M. on Tuesday, September 9, 2020 will be entered in the live electronic reverse auction by the county purchasing department. All paper bids must have "Term Bid" and "SC1-Type 2 Asphalt" and written on the outside of the sealed envelope.

NOTE: ALL FEDERAL TAXES AND FEES SHALL BE INCLUDED IN BID PRICES. ALL BID PRICES ARE LIMITED TO DOLLARS AND CENTS ONLY. NO FRACTIONS OF A CENT.

For use in determining if a vendor's location excludes it from participating in the reverse auction and in our calculations of lowest and best bid, note here the number of miles from your company plant to the Madison County Road Department:

1.5 Miles

The below signed company agrees that if it is awarded a Term Bid by the Madison County Board of Supervisors for SC1-Type 2 Asphalt that it will provide said product in a timely manner at the awarded term bid price for the duration of said term bid period. The below signed company further agrees that it will not load quantities of SC1-Type 2 Asphalt on Madison County trucks in an amount greater than is listed on the purchase order for each specific order. Furthermore, the below signed company agrees that in the event that it does load quantities of SC1-Type 2 Asphalt in quantities greater than is listed on the purchase order for a specific order that that it will neither bill nor hold Madison County responsible for the quantity of SC1-Type 2 Asphalt that exceeds the purchase order amount.

COMPANY NAME: APAC-Mississippi, Inc.

ADDRESS: P.O. Box 24508

Jackson, Ms 39225-4508

TELEPHONE: 601-376-4000

CELL PHONE NUMBER: 601-954-8766

EMAIL: john.may@apac.com

Terry May
AUTHORIZED REPRESENTATIVE'S SIGNATURE

8-12-2020
DATE

Terry May
PRINT AUTHORIZED REPRESENTATIVE'S NAME HERE

NOTE: ALL BID SHEETS MUST BE SIGNED AND DATED BY AN AUTHORIZED COMPANY REPRESENTATIVE.

MADISON COUNTY BOARD OF SUPERVISORS

**SPECIFICATION SUBMITTAL SHEET
(NO PRICES)**

**TERM BID FOR PERIOD OCTOBER 1, 2020 – SEPTEMBER 30, 2021
CRS 2-LIQUID ASPHALT
TO PICKED UP BY MADISON COUNTY**

**SPECIFICATION SUBMITTAL SHEET
DEADLINE: SEPTEMBER 3, 2020 – 10:00 A.M.**

Vendors' specification submittal sheet (with no prices) will be received until 10:00 A.M. on Thursday, September 3, 2020. Vendors may submit their specification submittal sheets using either of the two following methods:

1. Electronically at <http://www.madison-co.com/bids>.
2. In a sealed envelope to the Madison County Chancery Clerk's office located in the Madison County Chancery Courthouse, Rooms 225-228, 146 West North Street, Canton, MS 39046. Specification submittal sheets submitted in paper form must have "Term Bids Specifications" written on the outside of the sealed envelope.

Vendors' term bid specification submittal sheets will be evaluated and vendors submitting acceptable specifications will be invited by email to submit priced bids via a live electronic reverse auction or sealed paper bids.

Final bidding for term bids will be held by live electronic reverse auctions on Tuesday, September 9, 2020 beginning at 10:00 A.M., with a scheduled ending time of 11:00 A.M. Qualified vendors can access the live reverse auction via the links distributed by email to qualified vendors. Anti-sniping will be utilized for the live electronic reverse auctions, which means that the bid deadline countdown will automatically reset to 5 minutes anytime a bid is received within the final 5 minutes of the reverse auction. The anti-sniping tool can extend the bid deadline multiple times until no bid is received in the final five minutes of the reverse auction.

Sealed bids may be submitted to the Madison County Chancery Clerk's office located in the Madison County Chancery Courthouse, Rooms 225-228, 146 West North Street, Canton, MS 39046 until 10:00 A.M. on Thursday, September 3, 2020. Sealed bids received by 10:00 A.M. on Tuesday, September 9, 2020 will be entered in the live electronic reverse auction by the county purchasing department. All paper bids must have "Term Bid" and "CRS 2-Liquid Asphalt" and written on the outside of the sealed envelope.

NOTE: ALL FEDERAL TAXES AND FEES SHALL BE INCLUDED IN BID PRICES. ALL BID PRICES ARE LIMITED TO DOLLARS AND CENTS ONLY. NO FRACTIONS OF A CENT.

For use in determining if a vendor's location excludes it from participating in the reverse auction and in our calculations of lowest and best bid, note here the number of miles from your company plant to the Madison County Road Department:
approximately 65 Miles

The below signed company agrees that if it is awarded a Term Bid by the Madison County Board of Supervisors for CRS 2-Liquid Asphalt that it will provide said product in a timely manner at the awarded term bid price for the duration of said term bid period. The below signed company further agrees that it will not load quantities of CRS 2-Liquid Asphalt on Madison County trucks in an amount greater than is listed on the purchase order for each specific order. Furthermore, the below signed company agrees that in the event that it does load quantities of CRS 2-Liquid Asphalt in quantities greater than is listed on the purchase order for a specific order that that it will neither bill nor hold Madison County responsible for the quantity of CRS 2-Liquid Asphalt that exceeds the purchase order amount.

COMPANY NAME: ERGON ASPHALT & EMULSIONS, INC.

ADDRESS: P. O. BOX 1639

JACKSON, MS 39215-1639

TELEPHONE: 601-933-3387

CELL PHONE NUMBER: 601-497-7278

EMAIL: amy.walker@ergon.com / teresa.purifoy@ergon.com

Amy Walker August 28, 2020
AUTHORIZED REPRESENTATIVE'S SIGNATURE DATE

Amy Walker, Area Sales Manager
PRINT AUTHORIZED REPRESENTATIVE'S NAME HERE

NOTE: ALL BID SHEETS MUST BE SIGNED AND DATED BY AN AUTHORIZED COMPANY REPRESENTATIVE.

MADISON COUNTY BOARD OF SUPERVISORS

**SPECIFICATION SUBMITTAL SHEET
(NO PRICES)**

**TERM BID FOR PERIOD OCTOBER 1, 2020 – SEPTEMBER 30, 2021
COLD MIX ASPHALT
TO PICKED UP BY MADISON COUNTY**

**SPECIFICATION SUBMITTAL SHEET
DEADLINE: SEPTEMBER 3, 2020 – 10:00 A.M.**

Vendors' specification submittal sheet (with no prices) will be received until 10:00 A.M. on Thursday, September 3, 2020. Vendors may submit their specification submittal sheets using either of the two following methods:

1. Electronically at <http://www.madison-co.com/bids>.
2. In a sealed envelope to the Madison County Chancery Clerk's office located in the Madison County Chancery Courthouse, Rooms 225-228, 146 West North Street, Canton, MS 39046. Specification submittal sheets submitted in paper form must have "Term Bids Specifications" written on the outside of the sealed envelope.

Vendors' term bid specification submittal sheets will be evaluated and vendors submitting acceptable specifications will be invited by email to submit priced bids via a live electronic reverse auction or sealed paper bids.

Final bidding for term bids will be held by live electronic reverse auctions on Tuesday, September 9, 2020 beginning at 10:00 A.M., with a scheduled ending time of 11:00 A.M. Qualified vendors can access the live reverse auction via the links distributed by email to qualified vendors. Anti-sniping will be utilized for the live electronic reverse auctions, which means that the bid deadline countdown will automatically reset to 5 minutes anytime a bid is received within the final 5 minutes of the reverse auction. The anti-sniping tool can extend the bid deadline multiple times until no bid is received in the final five minutes of the reverse auction.

Sealed bids may be submitted to the Madison County Chancery Clerk's office located in the Madison County Chancery Courthouse, Rooms 225-228, 146 West North Street, Canton, MS 39046 until 10:00 A.M. on Thursday, September 3, 2020. Sealed bids received by 10:00 A.M. on Tuesday, September 9, 2020 will be entered in the live electronic reverse auction by the county purchasing department. All paper bids must have "Term Bid" and "Cold Mix Asphalt" and written on the outside of the sealed envelope.

NOTE: ALL FEDERAL TAXES AND FEES SHALL BE INCLUDED IN BID PRICES. ALL BID PRICES ARE LIMITED TO DOLLARS AND CENTS ONLY. NO FRACTIONS OF A CENT.

For use in determining if a vendor's location excludes it from participating in the reverse auction and in our calculations of lowest and best bid, note here the number of miles from your company plant to the Madison County Road Department:

29.5 Miles

The below signed company agrees that if it is awarded a Term Bid by the Madison County Board of Supervisors for Cold Mix Asphalt that it will provide said product in a timely manner at the awarded term bid price for the duration of said term bid period. The below signed company further agrees that it will not load quantities of Cold Mix Asphalt on Madison County trucks in an amount greater than is listed on the purchase order for each specific order. Furthermore, the below signed company agrees that in the event that it does load quantities of Cold Mix Asphalt in quantities greater than is listed on the purchase order for a specific order that that it will neither bill nor hold Madison County responsible for the quantity of Cold Mix Asphalt that exceeds the purchase order amount.

COMPANY NAME: APAC-Mississippi, Inc.

ADDRESS: P.O. Box 24508

Jackson, Ms 39225-4508

TELEPHONE: 601-376-4000

CELL PHONE NUMBER: 601-954-8766

EMAIL: john.may@apac.com

Terry May
AUTHORIZED REPRESENTATIVE'S SIGNATURE

8-12-2020
DATE

Terry May
PRINT AUTHORIZED REPRESENTATIVE'S NAME HERE

NOTE: ALL BID SHEETS MUST BE SIGNED AND DATED BY AN AUTHORIZED COMPANY REPRESENTATIVE.

MADISON COUNTY BOARD OF SUPERVISORS

**SPECIFICATION SUBMITTAL SHEET
(NO PRICES)**

TERM BID FOR PERIOD OCTOBER 1, 2020 – SEPTEMBER 30, 2021

**BB1 Asphalt
TO PICKED UP BY MADISON COUNTY**

**SPECIFICATION SUBMITTAL SHEET
DEADLINE: SEPTEMBER 3, 2020 – 10:00 A.M.**

Vendors' specification submittal sheet (with no prices) will be received until 10:00 A.M. on Thursday, September 3, 2020. Vendors may submit their specification submittal sheets using either of the two following methods:

1. Electronically at <http://www.madison-co.com/bids>.
2. In a sealed envelope to the Madison County Chancery Clerk's office located in the Madison County Chancery Courthouse, Rooms 225-228, 146 West North Street, Canton, MS 39046. Specification submittal sheets submitted in paper form must have "Term Bids Specifications" written on the outside of the sealed envelope.

Vendors' term bid specification submittal sheets will be evaluated and vendors submitting acceptable specifications will be invited by email to submit priced bids via a live electronic reverse auction or sealed paper bids.

Final bidding for term bids will be held by live electronic reverse auctions on Tuesday, September 9, 2020 beginning at 10:00 A.M., with a scheduled ending time of 11:00 A.M. Qualified vendors can access the live reverse auction via the links distributed by email to qualified vendors. Anti-sniping will be utilized for the live electronic reverse auctions, which means that the bid deadline countdown will automatically reset to 5 minutes anytime a bid is received within the final 5 minutes of the reverse auction. The anti- sniping tool can extend the bid deadline multiple times until no bid is received in the final five minutes of the reverse auction.

Sealed bids may be submitted to the Madison County Chancery Clerk's office located in the Madison County Chancery Courthouse, Rooms 225-228, 146 West North Street, Canton, MS 39046 until 10:00 A.M. on Thursday, September 3, 2020 Sealed bids received by 10:00 A.M. on Tuesday, September 9, 2020 will be entered in the live electronic reverse auction by the county purchasing department. All paper bids must have "Term Bid" and "BB 1 Asphalt" and written on the outside of the sealed envelope.

NOTE: ALL FEDERAL TAXES AND FEES SHALL BE INCLUDED IN BID PRICES. ALL BID PRICES ARE LIMITED TO DOLLARS AND CENTS ONLY. NO FRACTIONS OF A CENT.

For use in determining if a vendor's location excludes it from participating in the reverse auction and in our calculations of lowest and best bid, note here the number of miles from your company plant to the Madison County Road Department:

1.5 Miles

The below signed company agrees that if it is awarded a Term Bid by the Madison County Board of Supervisors for BB1 Asphalt that it will provide said product in a timely manner at the awarded term bid price for the duration of said term bid period. The below signed company further agrees that it will not load quantities of BB1 Asphalt on Madison County trucks in an amount greater than is listed on the purchase order for each specific order. Furthermore, the below signed company agrees that in the event that it does load quantities of BB1 Asphalt in quantities greater than is listed on the purchase order for a specific order that that it will neither bill nor hold Madison County responsible for the quantity of BB1 Asphalt that exceeds the purchase order amount.

COMPANY NAME: APAC-Mississippi, Inc.

ADDRESS: P.O. Box 24508

Jackson Ms 39225-4508

TELEPHONE: 601-376-4000

CELL PHONE NUMBER: 601-954-8766

EMAIL: john.may@apac.com

Terry May 8-12-2020
AUTHORIZED REPRESENTATIVE'S SIGNATURE DATE

Terry May
PRINT AUTHORIZED REPRESENTATIVE'S NAME HERE

NOTE: ALL BID SHEETS MUST BE SIGNED AND DATED BY AN AUTHORIZED COMPANY REPRESENTATIVE.

MADISON COUNTY BOARD OF SUPERVISORS

**SPECIFICATION SUBMITTAL SHEET
(NO PRICES)**

**TERM BID FOR PERIOD OCTOBER 1, 2020 – SEPTEMBER 30, 2021
WASHED ROAD GRAVEL
TO PICKED UP BY MADISON COUNTY**

**SPECIFICATION SUBMITTAL SHEET
DEADLINE: SEPTEMBER 3, 2020 – 10:00 A.M.**

Vendors' specification submittal sheet (with no prices) will be received until 10:00 A.M. on Thursday, September 3, 2020. Vendors may submit their specification submittal sheets using either of the two following methods:

1. Electronically at <http://www.madison-co.com/bids>.
2. In a sealed envelope to the Madison County Chancery Clerk's office located in the Madison County Chancery Courthouse, Rooms 225-228, 146 West North Street, Canton, MS 39046. Specification submittal sheets submitted in paper form must have "Term Bids Specifications" written on the outside of the sealed envelope.

Vendors' term bid specification submittal sheets will be evaluated and vendors submitting acceptable specifications will be invited by email to submit priced bids via a live electronic reverse auction or sealed paper bids.

Final bidding for term bids will be held by live electronic reverse auctions on Tuesday, September 9, 2020 beginning at 10:00 A.M., with a scheduled ending time of 11:00 A.M. Qualified vendors can access the live reverse auction via the links distributed by email to qualified vendors. Anti-sniping will be utilized for the live electronic reverse auctions, which means that the bid deadline countdown will automatically reset to 5 minutes anytime a bid is received within the final 5 minutes of the reverse auction. The anti-sniping tool can extend the bid deadline multiple times until no bid is received in the final five minutes of the reverse auction.

Sealed bids may be submitted to the Madison County Chancery Clerk's office located in the Madison County Chancery Courthouse, Rooms 225-228, 146 West North Street, Canton, MS 39046 until 10:00 A.M. on Thursday, September 3, 2020. Sealed bids received by 10:00 A.M. on Tuesday, September 9, 2020 will be entered in the live electronic reverse auction by the county purchasing department. All paper bids must have "Term Bid" and "Washed Road Gravel" and written on the outside of the sealed envelope.

NOTE: ALL FEDERAL TAXES AND FEES SHALL BE INCLUDED IN BID PRICES. ALL BID PRICES ARE LIMITED TO DOLLARS AND CENTS ONLY. NO FRACTIONS OF A CENT.

For use in determining if a vendor's location excludes it from participating in the reverse auction and in our calculations of lowest and best bid, note here the number of miles from your company plant to the Madison County Road Department:

37 Miles

The below signed company agrees that if it is awarded a Term Bid by the Madison County Board of Supervisors for Washed Road Gravel that it will provide said product in a timely manner at the awarded term bid price for the duration of said term bid period. The below signed company further agrees that it will not load quantities of Washed Road Gravel on Madison County trucks in an amount greater than is listed on the purchase order for each specific order. Furthermore, the below signed company agrees that in the event that it does load quantities of Washed Road Gravel in quantities greater than is listed on the purchase order for a specific order that that it will neither bill nor hold Madison County responsible for the quantity of Washed Road Gravel that exceeds the purchase order amount.

COMPANY NAME: Hammett Gravel Company, Inc.

ADDRESS: PO Box 209

Lexington, Ms 39095

TELEPHONE: 662-834-1567

CELL PHONE NUMBER: 601-416-1481

EMAIL: timdeason@hammett-gravel.com

Tim Deason AUTHORIZED REPRESENTATIVE'S SIGNATURE 8/17/2022 DATE

Tim Deason
PRINT AUTHORIZED REPRESENTATIVE'S NAME HERE

NOTE: ALL BID SHEETS MUST BE SIGNED AND DATED BY AN AUTHORIZED COMPANY REPRESENTATIVE.

MADISON COUNTY BOARD OF SUPERVISORS

**SPECIFICATION SUBMITTAL SHEET
(NO PRICES)**

**TERM BID FOR PERIOD OCTOBER 1, 2020 – SEPTEMBER 30, 2021
CLAY GRAVEL
TO PICKED UP BY MADISON COUNTY**

**SPECIFICATION SUBMITTAL SHEET
DEADLINE: SEPTEMBER 3, 2020 – 10:00 A.M.**

Vendors' specification submittal sheet (with no prices) will be received until 10:00 A.M. on Thursday, September 3, 2020. Vendors may submit their specification submittal sheets using either of the two following methods:

1. Electronically at <http://www.madison-co.com/bids>.
2. In a sealed envelope to the Madison County Chancery Clerk's office located in the Madison County Chancery Courthouse, Rooms 225-228, 146 West North Street, Canton, MS 39046. Specification submittal sheets submitted in paper form must have "Term Bids Specifications" written on the outside of the sealed envelope.

Vendors' term bid specification submittal sheets will be evaluated and vendors submitting acceptable specifications will be invited by email to submit priced bids via a live electronic reverse auction or sealed paper bids.

Final bidding for term bids will be held by live electronic reverse auctions on Tuesday, September 9, 2020 beginning at 10:00 A.M., with a scheduled ending time of 11:00 A.M. Qualified vendors can access the live reverse auction via the links distributed by email to qualified vendors. Anti-sniping will be utilized for the live electronic reverse auctions, which means that the bid deadline countdown will automatically reset to 5 minutes anytime a bid is received within the final 5 minutes of the reverse auction. The anti-sniping tool can extend the bid deadline multiple times until no bid is received in the final five minutes of the reverse auction.

Sealed bids may be submitted to the Madison County Chancery Clerk's office located in the Madison County Chancery Courthouse, Rooms 225-228, 146 West North Street, Canton, MS 39046 until 10:00 A.M. on Thursday, September 3, 2020. Sealed bids received by 10:00 A.M. on Tuesday, September 9, 2020 will be entered in the live electronic reverse auction by the county purchasing department. All paper bids must have "Term Bid" and "Clay Gravel" and written on the outside of the sealed envelope.

NOTE: ALL FEDERAL TAXES AND FEES SHALL BE INCLUDED IN BID PRICES. ALL BID PRICES ARE LIMITED TO DOLLARS AND CENTS ONLY. NO FRACTIONS OF A CENT.

For use in determining if a vendor's location excludes it from participating in the reverse auction and in our calculations of lowest and best bid, note here the number of miles from your company plant to the Madison County Road Department:

27.4 Miles

The below signed company agrees that if it is awarded a Term Bid by the Madison County Board of Supervisors for Clay Gravel that it will provide said product in a timely manner at the awarded term bid price for the duration of said term bid period. The below signed company further agrees that it will not load quantities of Clay Gravel on Madison County trucks in an amount greater than is listed on the purchase order for each specific order. Furthermore, the below signed company agrees that in the event that it does load quantities of Clay Gravel in quantities greater than is listed on the purchase order for a specific order that that it will neither bill nor hold Madison County responsible for the quantity of Clay Gravel that exceeds the purchase order amount.

COMPANY NAME: APAC-Mississippi, Inc.


ADDRESS: P.O. Box 24508

Jackson, Ms 39225-4508

TELEPHONE: 601-376-4000

CELL PHONE NUMBER: 601-954-8766

EMAIL: john.may@apac.com

 8-24-2020
AUTHORIZED REPRESENTATIVE'S SIGNATURE DATE

Terry May
PRINT AUTHORIZED REPRESENTATIVE'S NAME HERE

NOTE: ALL BID SHEETS MUST BE SIGNED AND DATED BY AN AUTHORIZED COMPANY REPRESENTATIVE.

MADISON COUNTY BOARD OF SUPERVISORS

**SPECIFICATION SUBMITTAL SHEET
(NO PRICES)**

**TERM BID FOR PERIOD OCTOBER 1, 2020 – SEPTEMBER 30, 2021
CLAY GRAVEL
TO PICKED UP BY MADISON COUNTY**

**SPECIFICATION SUBMITTAL SHEET
DEADLINE: SEPTEMBER 3, 2020 – 10:00 A.M.**

Vendors' specification submittal sheet (with no prices) will be received until 10:00 A.M. on Thursday, September 3, 2020. Vendors may submit their specification submittal sheets using either of the two following methods:

1. Electronically at <http://www.madison-co.com/bids>.
2. In a sealed envelope to the Madison County Chancery Clerk's office located in the Madison County Chancery Courthouse, Rooms 225-228, 146 West North Street, Canton, MS 39046. Specification submittal sheets submitted in paper form must have "Term Bids Specifications" written on the outside of the sealed envelope.

Vendors' term bid specification submittal sheets will be evaluated and vendors submitting acceptable specifications will be invited by email to submit priced bids via a live electronic reverse auction or sealed paper bids.

Final bidding for term bids will be held by live electronic reverse auctions on Tuesday, September 9, 2020 beginning at 10:00 A.M., with a scheduled ending time of 11:00 A.M. Qualified vendors can access the live reverse auction via the links distributed by email to qualified vendors. Anti-sniping will be utilized for the live electronic reverse auctions, which means that the bid deadline countdown will automatically reset to 5 minutes anytime a bid is received within the final 5 minutes of the reverse auction. The anti-sniping tool can extend the bid deadline multiple times until no bid is received in the final five minutes of the reverse auction.

Sealed bids may be submitted to the Madison County Chancery Clerk's office located in the Madison County Chancery Courthouse, Rooms 225-228, 146 West North Street, Canton, MS 39046 until 10:00 A.M. on Thursday, September 3, 2020. Sealed bids received by 10:00 A.M. on Tuesday, September 9, 2020 will be entered in the live electronic reverse auction by the county purchasing department. All paper bids must have "Term Bid" and "Clay Gravel" and written on the outside of the sealed envelope.

NOTE: ALL FEDERAL TAXES AND FEES SHALL BE INCLUDED IN BID PRICES. ALL BID PRICES ARE LIMITED TO DOLLARS AND CENTS ONLY. NO FRACTIONS OF A CENT.

For use in determining if a vendor's location excludes it from participating in the reverse auction and in our calculations of lowest and best bid, note here the number of miles from your company plant to the Madison County Road Department:

37 Miles

The below signed company agrees that if it is awarded a Term Bid by the Madison County Board of Supervisors for Clay Gravel that it will provide said product in a timely manner at the awarded term bid price for the duration of said term bid period. The below signed company further agrees that it will not load quantities of Clay Gravel on Madison County trucks in an amount greater than is listed on the purchase order for each specific order. Furthermore, the below signed company agrees that in the event that it does load quantities of Clay Gravel in quantities greater than is listed on the purchase order for a specific order that that it will neither bill nor hold Madison County responsible for the quantity of Clay Gravel that exceeds the purchase order amount.

COMPANY NAME: Hammett Gravel Company, Inc.

ADDRESS: PO Box 209

Lexington, Ms 39095

TELEPHONE: 662-834-1867

CELL PHONE NUMBER: 601-416-1461

EMAIL: tim.deason@hammett-gravel.com

Tim Deason 8/17/2020
AUTHORIZED REPRESENTATIVE'S SIGNATURE DATE

Tim Deason
PRINT AUTHORIZED REPRESENTATIVE'S NAME HERE

NOTE: ALL BID SHEETS MUST BE SIGNED AND DATED BY AN AUTHORIZED COMPANY REPRESENTATIVE.

MADISON COUNTY BOARD OF SUPERVISORS

**SPECIFICATION SUBMITTAL SHEET
(NO PRICES)**

**TERM BID FOR PERIOD OCTOBER 1, 2020 – SEPTEMBER 30, 2021
CLAY GRAVEL
TO PICKED UP BY MADISON COUNTY**

**SPECIFICATION SUBMITTAL SHEET
DEADLINE: SEPTEMBER 3, 2020 – 10:00 A.M.**

Vendors' specification submittal sheet (with no prices) will be received until 10:00 A.M. on Thursday, September 3, 2020. Vendors may submit their specification submittal sheets using either of the two following methods:

1. Electronically at <http://www.madison-co.com/bids>.
2. In a sealed envelope to the Madison County Chancery Clerk's office located in the Madison County Chancery Courthouse, Rooms 225-228, 146 West North Street, Canton, MS 39046. Specification submittal sheets submitted in paper form must have "Term Bids Specifications" written on the outside of the sealed envelope.

Vendors' term bid specification submittal sheets will be evaluated and vendors submitting acceptable specifications will be invited by email to submit priced bids via a live electronic reverse auction or sealed paper bids.

Final bidding for term bids will be held by live electronic reverse auctions on Tuesday, September 9, 2020 beginning at 10:00 A.M., with a scheduled ending time of 11:00 A.M. Qualified vendors can access the live reverse auction via the links distributed by email to qualified vendors. Anti-sniping will be utilized for the live electronic reverse auctions, which means that the bid deadline countdown will automatically reset to 5 minutes anytime a bid is received within the final 5 minutes of the reverse auction. The anti-sniping tool can extend the bid deadline multiple times until no bid is received in the final five minutes of the reverse auction.

Sealed bids may be submitted to the Madison County Chancery Clerk's office located in the Madison County Chancery Courthouse, Rooms 225-228, 146 West North Street, Canton, MS 39046 until 10:00 A.M. on Thursday, September 3, 2020. Sealed bids received by 10:00 A.M. on Tuesday, September 9, 2020 will be entered in the live electronic reverse auction by the county purchasing department. All paper bids must have "Term Bid" and "Clay Gravel" and written on the outside of the sealed envelope.

NOTE: ALL FEDERAL TAXES AND FEES SHALL BE INCLUDED IN BID PRICES. ALL BID PRICES ARE LIMITED TO DOLLARS AND CENTS ONLY. NO FRACTIONS OF A CENT.

For use in determining if a vendor's location excludes it from participating in the reverse auction and in our calculations of lowest and best bid, note here the number of miles from your company plant to the Madison County Road Department:

37 Miles

The below signed company agrees that if it is awarded a Term Bid by the Madison County Board of Supervisors for Clay Gravel that it will provide said product in a timely manner at the awarded term bid price for the duration of said term bid period. The below signed company further agrees that it will not load quantities of Clay Gravel on Madison County trucks in an amount greater than is listed on the purchase order for each specific order. Furthermore, the below signed company agrees that in the event that it does load quantities of Clay Gravel in quantities greater than is listed on the purchase order for a specific order that that it will neither bill nor hold Madison County responsible for the quantity of Clay Gravel that exceeds the purchase order amount.

COMPANY NAME: Hammett Gravel Company, Inc.

ADDRESS: PO Box 209

Lexington, MS 39095

TELEPHONE: 662-834-1867

CELL PHONE NUMBER: 601-416-1461

EMAIL: timdeason@hammett-gravel.com

Tim Deason 8/17/2022
AUTHORIZED REPRESENTATIVE'S SIGNATURE DATE

Tim Deason
PRINT AUTHORIZED REPRESENTATIVE'S NAME HERE

NOTE: ALL BID SHEETS MUST BE SIGNED AND DATED BY AN AUTHORIZED COMPANY REPRESENTATIVE.

MADISON COUNTY BOARD OF SUPERVISORS

SPECIFICATION SUBMITTAL SHEET (NO PRICES)

**TERM BID FOR PERIOD OCTOBER 1, 2020 – SEPTEMBER 30, 2021
12" Diameter by Foot – HDPE (Plastic Pipe)
TO PICKED UP BY MADISON COUNTY**

SPECIFICATION SUBMITTAL SHEET DEADLINE: SEPTEMBER 3, 2020 – 10:00 A.M.

Vendors' specification submittal sheet (with no prices) will be received until 10:00 A.M. on Thursday, September 3, 2020. Vendors may submit their specification submittal sheets using either of the two following methods:

1. Electronically at <http://www.madison-co.com/bids>.
2. In a sealed envelope to the Madison County Chancery Clerk's office located in the Madison County Chancery Courthouse, Rooms 225-228, 146 West North Street, Canton, MS 39046. Specification submittal sheets submitted in paper form must have "Term Bids Specifications" written on the outside of the sealed envelope.

Vendors' term bid specification submittal sheets will be evaluated and vendors submitting acceptable specifications will be invited by email to submit priced bids via a live electronic reverse auction or sealed paper bids.

Final bidding for term bids will be held by live electronic reverse auctions on Tuesday, September 9, 2020 beginning at 10:00 A.M., with a scheduled ending time of 11:00 A.M. Qualified vendors can access the live reverse auction via the links distributed by email to qualified vendors. Anti-sniping will be utilized for the live electronic reverse auctions, which means that the bid deadline countdown will automatically reset to 5 minutes anytime a bid is received within the final 5 minutes of the reverse auction. The anti-sniping tool can extend the bid deadline multiple times until no bid is received in the final five minutes of the reverse auction.

Sealed bids may be submitted to the Madison County Chancery Clerk's office located in the Madison County Chancery Courthouse, Rooms 225-228, 146 West North Street, Canton, MS 39046 until 10:00 A.M. on Thursday, September 3, 2020. Sealed bids received by 10:00 A.M. on Tuesday, September 9, 2020 will be entered in the live electronic reverse auction by the county purchasing department. All paper bids must have "Term Bid" and "12" Diameter by Foot" and written on the outside of the sealed envelope.

NOTE: ALL FEDERAL TAXES AND FEES SHALL BE INCLUDED IN BID PRICES. ALL BID PRICES ARE LIMITED TO DOLLARS AND CENTS ONLY. NO FRACTIONS OF A CENT.

For use in determining if a vendor's location excludes it from participating in the reverse auction and in our calculations of lowest and best bid, note here the number of miles from your company plant to the Madison County Road Department:

20 Miles

The below signed company agrees that if it is awarded a Term Bid by the Madison County Board of Supervisors for 12" Diameter by Foot that it will provide said product in a timely manner at the awarded term bid price for the duration of said term bid period. The below signed company further agrees that it will not load quantities of 12" Diameter by Foot on Madison County trucks in an amount greater than is listed on the purchase order for each specific order. Furthermore, the below signed company agrees that in the event that it does load quantities of 12" Diameter by Foot in quantities greater than is listed on the purchase order for a specific order that that it will neither bill nor hold Madison County responsible for the quantity of 12" Diameter by Foot that exceeds the purchase order amount.

COMPANY NAME: GO Supply

ADDRESS: 2052 FOREST AVE

JACKSON MS 39213

TELEPHONE: 601 366 7444

CELL PHONE NUMBER: 601 421 8926

EMAIL: dbroadwater@gosupplyinc.com

DM Broadwater 8/25/2020
AUTHORIZED REPRESENTATIVE'S SIGNATURE DATE

DAVIS M BROADWATER
PRINT AUTHORIZED REPRESENTATIVE'S NAME HERE

NOTE: ALL BID SHEETS MUST BE SIGNED AND DATED BY AN AUTHORIZED COMPANY REPRESENTATIVE.

MADISON COUNTY BOARD OF SUPERVISORS

SPECIFICATION SUBMITTAL SHEET (NO PRICES)

**TERM BID FOR PERIOD OCTOBER 1, 2020 – SEPTEMBER 30, 2021
18" Diameter by Foot – HDPE (Plastic Pipes)
TO PICKED UP BY MADISON COUNTY**

**SPECIFICATION SUBMITTAL SHEET
DEADLINE: SEPTEMBER 3, 2020 – 10:00 A.M.**

Vendors' specification submittal sheet (with no prices) will be received until 10:00 A.M. on Thursday, September 3, 2020. Vendors may submit their specification submittal sheets using either of the two following methods:

1. Electronically at <http://www.madison-co.com/bids>.
2. In a sealed envelope to the Madison County Chancery Clerk's office located in the Madison County Chancery Courthouse, Rooms 225-228, 146 West North Street, Canton, MS 39046. Specification submittal sheets submitted in paper form must have "Term Bids Specifications" written on the outside of the sealed envelope.

Vendors' term bid specification submittal sheets will be evaluated and vendors submitting acceptable specifications will be invited by email to submit priced bids via a live electronic reverse auction or sealed paper bids.

Final bidding for term bids will be held by live electronic reverse auctions on Tuesday, September 9, 2020 beginning at 10:00 A.M., with a scheduled ending time of 11:00 A.M. Qualified vendors can access the live reverse auction via the links distributed by email to qualified vendors. Anti-sniping will be utilized for the live electronic reverse auctions, which means that the bid deadline countdown will automatically reset to 5 minutes anytime a bid is received within the final 5 minutes of the reverse auction. The anti-sniping tool can extend the bid deadline multiple times until no bid is received in the final five minutes of the reverse auction.

Sealed bids may be submitted to the Madison County Chancery Clerk's office located in the Madison County Chancery Courthouse, Rooms 225-228, 146 West North Street, Canton, MS 39046 until 10:00 A.M. on Thursday, September 3, 2020. Sealed bids received by 10:00 A.M. on Tuesday, September 9, 2020 will be entered in the live electronic reverse auction by the county purchasing department. All paper bids must have "Term Bid" and "18" Diameter by Foot – HDPE (Plastic Pipes)" and written on the outside of the sealed envelope.

NOTE: ALL FEDERAL TAXES AND FEES SHALL BE INCLUDED IN BID PRICES. ALL BID PRICES ARE LIMITED TO DOLLARS AND CENTS ONLY. NO FRACTIONS OF A CENT.

For use in determining if a vendor's location excludes it from participating in the reverse auction and in our calculations of lowest and best bid, note here the number of miles from your company plant to the Madison County Road Department:

70 Miles

The below signed company agrees that if it is awarded a Term Bid by the Madison County Board of Supervisors for 18" Diameter by Foot – HDPE (Plastic Pipes) that it will provide said product in a timely manner at the awarded term bid price for the duration of said term bid period. The below signed company further agrees that it will not load quantities of 18" Diameter by Foot – HDPE (Plastic Pipes) on Madison County trucks in an amount greater than is listed on the purchase order for each specific order. Furthermore, the below signed company agrees that in the event that it does load quantities of 18" Diameter by Foot – HDPE (Plastic Pipes) in quantities greater than is listed on the purchase order for a specific order that that it will neither bill nor hold Madison County responsible for the quantity of 18" Diameter by Foot – HDPE (Plastic Pipes) that exceeds the purchase order amount.

COMPANY NAME: GO Supply

ADDRESS: 2052 FOREST AVE
JACKSON MS 39213

TELEPHONE: 601 366 7444

CELL PHONE NUMBER: 601 421 8926

EMAIL: dbroadwater@gosupplyinc.com

W. Broadwater 8/25/2020
AUTHORIZED REPRESENTATIVE'S SIGNATURE DATE

DAVIS M BROADWATER
PRINT AUTHORIZED REPRESENTATIVE'S NAME HERE

NOTE: ALL BID SHEETS MUST BE SIGNED AND DATED BY AN AUTHORIZED COMPANY REPRESENTATIVE.

ADS N-12® ST IB PIPE (per ASTM F2648) SPECIFICATION

Scope

This specification describes 4- through 60-inch (100 to 1500 mm) ADS N-12 ST IB pipe (per ASTM F2648) for use in gravity-flow land drainage applications.

Pipe Requirements

ADS N-12 ST IB pipe (per ASTM F2648) shall have a smooth interior and annular exterior corrugations.

- 4- through 60-inch (100 to 1500 mm) shall meet ASTM F2648.
- Manning's "n" value for use in design shall be 0.012.

Joint Performance

Pipe shall be joined using a bell & spigot joint meeting ASTM F2648. The joint shall be soil-tight and gaskets, when applicable, shall meet the requirements of ASTM F477. Gaskets shall be installed by the pipe manufacturer and covered with a removable wrap to ensure the gasket is free from debris. A joint lubricant supplied by the manufacturer shall be used on the gasket and bell during assembly.

Fittings

Fittings shall conform to ASTM F 2306. Bell and spigot connections shall utilize a spun-on or welded bell and valley or saddle gasket meeting the soil-tight joint performance requirements of ASTM F 2306.

Material Properties

Material for pipe production shall be an engineered compound of virgin and recycled high density polyethylene conforming with the minimum requirements of cell classification 424420C (ESCR Test Condition B) for 4- through 10-inch (100 to 250 mm) diameters, and 435420C (ESCR Test Condition B) for 12- through 60-inch (300 to 1500 mm) diameters, as defined and described in the latest version of ASTM D3350, except that carbon black content should not exceed 4%. The design engineer shall verify compatibility with overall system including structural, hydraulic, material and installation requirements for a given application.

Installation

Installation shall be in accordance with ASTM D2321 and ADS recommended installation guidelines, with the exception that minimum cover in trafficked areas for 4- through 48-inch (100 to 1200 mm) diameters shall be one foot. (0.3 m) and for 60-inch (1500 mm) diameters, the minimum cover shall be 2 ft. (0.6 m) in single run applications. Backfill for minimum cover situations shall consist of Class 1 (compacted), or Class 2 (minimum 90% SPD) material. Maximum fill heights depend on embedment material and compaction level; please refer to Technical Note 2.02. Contact your local ADS representative or visit our website at www.ads-pipe.com for a copy of the latest installation guidelines.

Pipe Dimensions

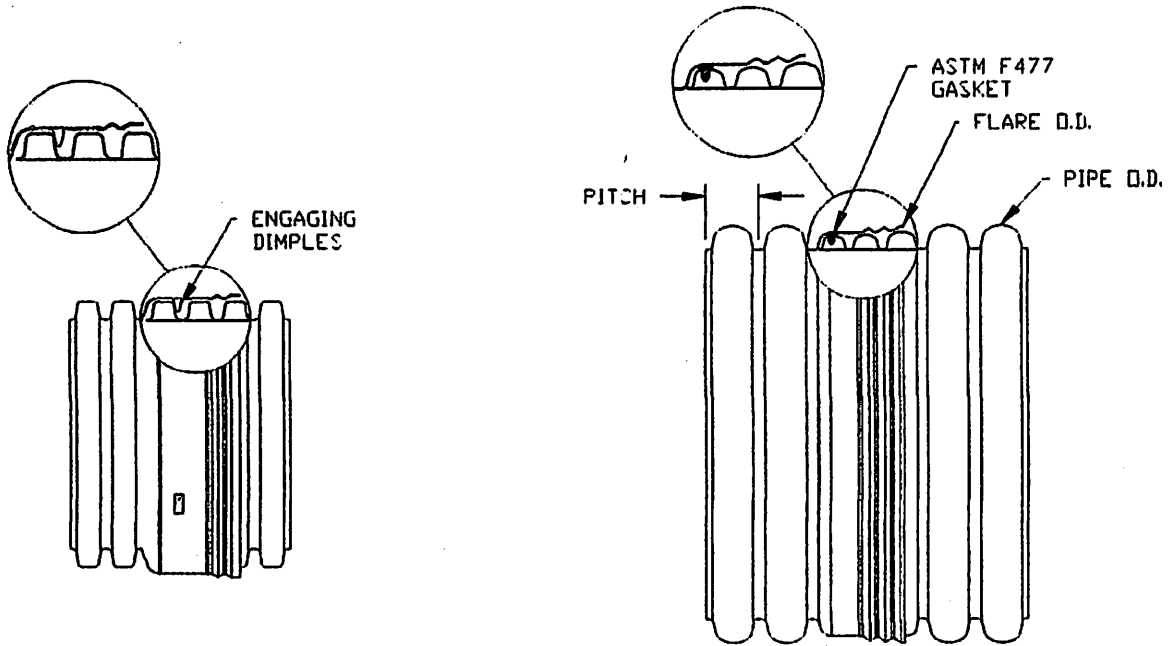
	Nominal Diameter, in (mm)													
Pipe I.D. in (mm)	4 (100)	6 (150)	8 (200)	10 (250)	12 (300)	15 (375)	18 (450)	24 (600)	30 (750)	36 (900)	42 (1050)	48 (1200)	54* (1350)	60 (1500)
Pipe O.D.** in (mm)	4.8 (122)	6.9 (175)	9.1 (231)	11.4 (290)	14.5 (368)	18 (457)	22 (559)	28 (711)	36 (914)	42 (1067)	48 (1219)	54 (1372)	61 (1548)	67 (1702)
Perforations	All diameters available with or without perforations.													

*Check with sales representative for availability by region.

**Pipe O.D. values are provided for reference purposes only, values stated for 12- through 60-inch are ± 1 inch. Contact a sales representative for exact values.

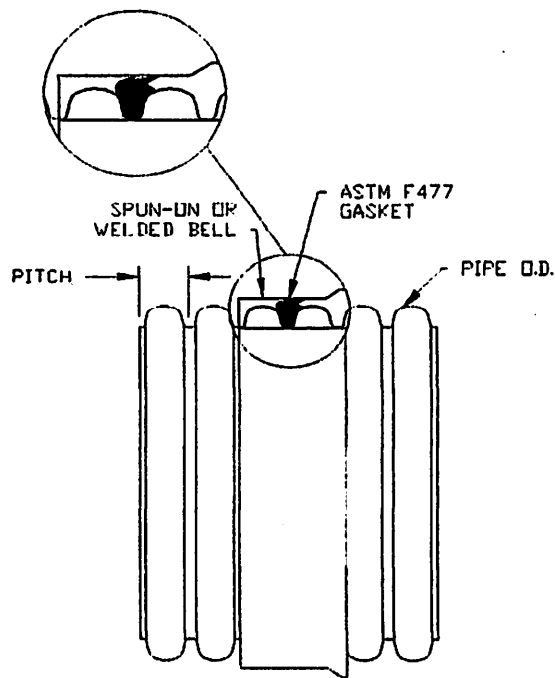
N-12® ST IB (per ASTM F2648) JOINT SYSTEM

(Joint configuration & availability subject to change without notice. Product detail may differ slightly from actual product appearance.)



4" - 10"
(100-250 MM)

12" - 60"
(300-1500 MM)



4" - 60"
(100-1500 MM)

MADISON COUNTY BOARD OF SUPERVISORS

**SPECIFICATION SUBMITTAL SHEET
(NO PRICES)**

**TERM BID FOR PERIOD OCTOBER 1, 2020 – SEPTEMBER 30, 2021
30” Band – Aluminized CMP (Pipes) (14 Gauge Type 2)
TO PICKED UP BY MADISON COUNTY**

**SPECIFICATION SUBMITTAL SHEET
DEADLINE: SEPTEMBER 3, 2020 – 10:00 A.M.**

Vendors' specification submittal sheet (with no prices) will be received until 10:00 A.M. on Thursday, September 3, 2020. Vendors may submit their specification submittal sheets using either of the two following methods:

1. Electronically at <http://www.madison-co.com/bids>.
2. In a sealed envelope to the Madison County Chancery Clerk's office located in the Madison County Chancery Courthouse, Rooms 225-228, 146 West North Street, Canton, MS 39046. Specification submittal sheets submitted in paper form must have "Term Bids Specifications" written on the outside of the sealed envelope.

Vendors' term bid specification submittal sheets will be evaluated and vendors submitting acceptable specifications will be invited by email to submit priced bids via a live electronic reverse auction or sealed paper bids.

Final bidding for term bids will be held by live electronic reverse auctions on Tuesday, September 9, 2020 beginning at 10:00 A.M., with a scheduled ending time of 11:00 A.M. Qualified vendors can access the live reverse auction via the links distributed by email to qualified vendors. Anti-sniping will be utilized for the live electronic reverse auctions, which means that the bid deadline countdown will automatically reset to 5 minutes anytime a bid is received within the final 5 minutes of the reverse auction. The anti-sniping tool can extend the bid deadline multiple times until no bid is received in the final five minutes of the reverse auction.

Sealed bids may be submitted to the Madison County Chancery Clerk's office located in the Madison County Chancery Courthouse, Rooms 225-228, 146 West North Street, Canton, MS 39046 until 10:00 A.M. on Thursday, September 3, 2020. Sealed bids received by 10:00 A.M. on Tuesday, September 9, 2020 will be entered in the live electronic reverse auction by the county purchasing department. All paper bids must have "Term Bid" and "30 Band" - Aluminized CMP (Pipes) (14 Gauge Type 2) and written on the outside of the sealed envelope.

NOTE: ALL FEDERAL TAXES AND FEES SHALL BE INCLUDED IN BID PRICES. ALL BID PRICES ARE LIMITED TO DOLLARS AND CENTS ONLY. NO FRACTIONS OF A CENT.

For use in determining if a vendor's location excludes it from participating in the reverse auction and in our calculations of lowest and best bid, note here the number of miles from your company plant to the Madison County Road Department:

20 Miles

The below signed company agrees that if it is awarded a Term Bid by the Madison County Board of Supervisors for "30" Band - Aluminized CMP (Pipes) (14 Gauge Type 2) that it will provide said product in a timely manner at the awarded term bid price for the duration of said term bid period. The below signed company further agrees that it will not load quantities of "30" Band - Aluminized CMP (Pipes) (14 Gauge Type 2) on Madison County trucks in an amount greater than is listed on the purchase order for each specific order. Furthermore, the below signed company agrees that in the event that it does load quantities of "30" Band- Aluminized CMP (Pipes) (14 Gauge Type 2) by Foot in quantities greater than is listed on the purchase order for a specific order that that it will neither bill nor hold Madison County responsible for the quantity of "30" Band - Aluminized CMP (Pipes) (14 Gauge Type 2) that exceeds the purchase order amount.

COMPANY NAME: G+O Supply

ADDRESS: 2052 Forest Ave
Jackson MS 39213

TELEPHONE: 601 366 7444

CELL PHONE NUMBER: 601 421 8926

EMAIL: dbroadwater@gosupplyinc.com

[Signature] 8/25/2020
AUTHORIZED REPRESENTATIVE'S SIGNATURE DATE

DAVIS M BROADWATER
PRINT AUTHORIZED REPRESENTATIVE'S NAME HERE

NOTE: ALL BID SHEETS MUST BE SIGNED AND DATED BY AN AUTHORIZED COMPANY REPRESENTATIVE.

SPECIFICATION FOR CORRUGATED METAL PIPE

ALUMINIZED STEEL TYPE 2

1.0 GENERAL

- 1.1 This specification covers the manufacture and installation of the Aluminized Steel Type 2 corrugated steel pipe or pipe-arch (CSP) detailed in the project plans.

2.0 DESIGN STANDARDS

- 2.1 The CSP meets the design parameters of the American Association of State Highway and Transportation Officials (AASHTO) Standard Specification for Highway Bridges, AASHTO LRFD Bridge Design, and/or the American Iron and Steel Institute (AISI).

3.0 MATERIAL

- 3.1 The Aluminized Steel Type 2 coils shall conform to the applicable requirements of AASHTO M 274 or ASTM A929.

4.0 PIPE

- 4.1 The CSP shall be manufactured in accordance with the applicable requirements of AASHTO M 36 or ASTM A760. The pipe sizes, gauges and corrugations shall be as shown on the project plans.

- 4.2 All fabrication of the product shall occur within the United States.

5.0 COUPLING BANDS

- 5.1 Coupling bands for the CSP shall be made of the same base metal and coatings as the CSP to a minimum of 18 gauge.

- 5.2 Ends of the CSP are rerolled with annular corrugations for proper indexing.

- 5.3 Connection fasteners will be provided.

6.0 HANDLING & ASSEMBLY

- 6.1 Refer to the recommendations of the National Corrugated Steel Pipe Association's (NCSPA).

7.0 INSTALLATION

- 7.1 The installation shall be in accordance with AASHTO Standard Specifications for Highway Bridges, LRFD Section 26, Division II, NCSPA, or ASTM A798 and in conformance with the project plans and specifications. If there are any inconsistencies or conflicts, the contractor must bring them to the attention of the project engineer.

- 7.2 It is always the contractor's responsibility to follow OSHA guidelines for safe practices.

8.0 CONSTRUCTION LOADS

- 8.1 Construction loads may be greater than design loads. The contractor shall follow the recommendations for additional compacted material per manufacturer's or NCSPA guidelines.

MADISON COUNTY BOARD OF SUPERVISORS

SPECIFICATION SUBMITTAL SHEET (NO PRICES)

**TERM BID FOR PERIOD OCTOBER 1, 2020 – SEPTEMBER 30, 2021
24” Band – Aluminized CMP (Pipes) (14 Gauge Type 2)
TO PICKED UP BY MADISON COUNTY**

**SPECIFICATION SUBMITTAL SHEET
DEADLINE: SEPTEMBER 3, 2020 – 10:00 A.M.**

Vendors' specification submittal sheet (with no prices) will be received until 10:00 A.M. on Thursday, September 3, 2020. Vendors may submit their specification submittal sheets using either of the two following methods:

1. Electronically at <http://www.madison-co.com/bids>.
2. In a sealed envelope to the Madison County Chancery Clerk's office located in the Madison County Chancery Courthouse, Rooms 225-228, 146 West North Street, Canton, MS 39046. Specification submittal sheets submitted in paper form must have "Term Bids Specifications" written on the outside of the sealed envelope.

Vendors' term bid specification submittal sheets will be evaluated and vendors submitting acceptable specifications will be invited by email to submit priced bids via a live electronic reverse auction or sealed paper bids.

Final bidding for term bids will be held by live electronic reverse auctions on Tuesday, September 9, 2020 beginning at 10:00 A.M., with a scheduled ending time of 11:00 A.M. Qualified vendors can access the live reverse auction via the links distributed by email to qualified vendors. Anti-sniping will be utilized for the live electronic reverse auctions, which means that the bid deadline countdown will automatically reset to 5 minutes anytime a bid is received within the final 5 minutes of the reverse auction. The anti-sniping tool can extend the bid deadline multiple times until no bid is received in the final five minutes of the reverse auction.

Sealed bids may be submitted to the Madison County Chancery Clerk's office located in the Madison County Chancery Courthouse, Rooms 225-228, 146 West North Street, Canton, MS 39046 until 10:00 A.M. on Thursday, September 3, 2020. Sealed bids received by 10:00 A.M. on Tuesday, September 9, 2020 will be entered in the live electronic reverse auction by the county purchasing department. All paper bids must have "Term Bid" and "24" Band - Aluminized CMP (Pipes) (14 Gauge Type 2) and written on the outside of the sealed envelope.

NOTE: ALL FEDERAL TAXES AND FEES SHALL BE INCLUDED IN BID PRICES. ALL BID PRICES ARE LIMITED TO DOLLARS AND CENTS ONLY. NO FRACTIONS OF A CENT.

For use in determining if a vendor's location excludes it from participating in the reverse auction and in our calculations of lowest and best bid, note here the number of miles from your company plant to the Madison County Road Department:

20 Miles

The below signed company agrees that if it is awarded a Term Bid by the Madison County Board of Supervisors for "24" Band - Aluminized CMP (Pipes) (14 Gauge Type 2) that it will provide said product in a timely manner at the awarded term bid price for the duration of said term bid period. The below signed company further agrees that it will not load quantities of "24" Band - Aluminized CMP (Pipes) (14 Gauge Type 2) on Madison County trucks in an amount greater than is listed on the purchase order for each specific order. Furthermore, the below signed company agrees that in the event that it does load quantities of "24" Band - Aluminized CMP (Pipes) (14 Gauge Type 2) by Foot in quantities greater than is listed on the purchase order for a specific order that that it will neither bill nor hold Madison County responsible for the quantity of "24" Band - Aluminized CMP (Pipes) (14 Gauge Type 2) that exceeds the purchase order amount.

COMPANY NAME: GTO Supply

ADDRESS: 2052 Forest Ave
Jackson MS 39213

TELEPHONE: 601 366 7444

CELL PHONE NUMBER: 601 421 8926

EMAIL: dbroadwater@gosupplyinc.com

[Signature] AUTHORIZED REPRESENTATIVE'S SIGNATURE 8/25/2020 DATE

DAVIS M BROADWATER
PRINT AUTHORIZED REPRESENTATIVE'S NAME HERE

NOTE: ALL BID SHEETS MUST BE SIGNED AND DATED BY AN AUTHORIZED COMPANY REPRESENTATIVE.

SPECIFICATION FOR CORRUGATED METAL PIPE

ALUMINIZED STEEL TYPE 2

1.0 GENERAL

- 1.1 This specification covers the manufacture and installation of the Aluminized Steel Type 2 corrugated steel pipe or pipe-arch (CSP) detailed in the project plans.

2.0 DESIGN STANDARDS

- 2.1 The CSP meets the design parameters of the American Association of State Highway and Transportation Officials (AASHTO) Standard Specification for Highway Bridges, AASHTO LRFD Bridge Design, and/or the American Iron and Steel Institute (AISI).

3.0 MATERIAL

- 3.1 The Aluminized Steel Type 2 coils shall conform to the applicable requirements of AASHTO M 274 or ASTM A929.

4.0 PIPE

- 4.1 The CSP shall be manufactured in accordance with the applicable requirements of AASHTO M 36 or ASTM A760. The pipe sizes, gauges and corrugations shall be as shown on the project plans.

- 4.2 All fabrication of the product shall occur within the United States.

5.0 COUPLING BANDS

- 5.1 Coupling bands for the CSP shall be made of the same base metal and coatings as the CSP to a minimum of 18 gauge.

- 5.2 Ends of the CSP are rerolled with annular corrugations for proper indexing.

- 5.3 Connection fasteners will be provided.

6.0 HANDLING & ASSEMBLY

- 6.1 Refer to the recommendations of the National Corrugated Steel Pipe Association's (NCSPA).

7.0 INSTALLATION

- 7.1 The installation shall be in accordance with AASHTO Standard Specifications for Highway Bridges, LRFD Section 26, Division II, NCSPA, or ASTM A798 and in conformance with the project plans and specifications. If there are any inconsistencies or conflicts, the contractor must bring them to the attention of the project engineer.

- 7.2 It is always the contractor's responsibility to follow OSHA guidelines for safe practices.

8.0 CONSTRUCTION LOADS

- 8.1 Construction loads may be greater than design loads. The contractor shall follow the recommendations for additional compacted material per manufacturer's or NCSPA guidelines.

MADISON COUNTY BOARD OF SUPERVISORS

**SPECIFICATION SUBMITTAL SHEET
(NO PRICES)**

**TERM BID FOR PERIOD OCTOBER 1, 2020 – SEPTEMBER 30, 2021
30" Diameter by Foot – Aluminized CMP (Pipes) (14 Gauge Type 2)
TO PICKED UP BY MADISON COUNTY**

**SPECIFICATION SUBMITTAL SHEET
DEADLINE: SEPTEMBER 3, 2020 – 10:00 A.M.**

Vendors' specification submittal sheet (with no prices) will be received until 10:00 A.M. on Thursday, September 3, 2020. Vendors may submit their specification submittal sheets using either of the two following methods:

1. Electronically at <http://www.madison-co.com/bids>.
2. In a sealed envelope to the Madison County Chancery Clerk's office located in the Madison County Chancery Courthouse, Rooms 225-228, 146 West North Street, Canton, MS 39046. Specification submittal sheets submitted in paper form must have "Term Bids Specifications" written on the outside of the sealed envelope.

Vendors' term bid specification submittal sheets will be evaluated and vendors submitting acceptable specifications will be invited by email to submit priced bids via a live electronic reverse auction or sealed paper bids.

Final bidding for term bids will be held by live electronic reverse auctions on Tuesday, September 9, 2020 beginning at 10:00 A.M., with a scheduled ending time of 11:00 A.M. Qualified vendors can access the live reverse auction via the links distributed by email to qualified vendors. Anti-sniping will be utilized for the live electronic reverse auctions, which means that the bid deadline countdown will automatically reset to 5 minutes anytime a bid is received within the final 5 minutes of the reverse auction. The anti-sniping tool can extend the bid deadline multiple times until no bid is received in the final five minutes of the reverse auction.

Sealed bids may be submitted to the Madison County Chancery Clerk's office located in the Madison County Chancery Courthouse, Rooms 225-228, 146 West North Street, Canton, MS 39046 until 10:00 A.M. on Thursday, September 3, 2020. Sealed bids received by 10:00 A.M. on Tuesday, September 9, 2020 will be entered in the live electronic reverse auction by the county purchasing department. All paper bids must have "Term Bid" and "30" Diameter by Foot- Aluminized CMP (Pipes) (14 Gauge Type 2) and written on the outside of the sealed envelope.

NOTE: ALL FEDERAL TAXES AND FEES SHALL BE INCLUDED IN BID PRICES. ALL BID PRICES ARE LIMITED TO DOLLARS AND CENTS ONLY. NO FRACTIONS OF A CENT.

For use in determining if a vendor's location excludes it from participating in the reverse auction and in our calculations of lowest and best bid, note here the number of miles from your company plant to the Madison County Road Department:

20 Miles

The below signed company agrees that if it is awarded a Term Bid by the Madison County Board of Supervisors for "30" Diameter by Foot- Aluminized CMP (Pipes) (14 Gauge Type 2) that it will provide said product in a timely manner at the awarded term bid price for the duration of said term bid period. The below signed company further agrees that it will not load quantities of "30" Diameter by Foot- Aluminized CMP (Pipes) (14 Gauge Type 2) on Madison County trucks in an amount greater than is listed on the purchase order for each specific order. Furthermore, the below signed company agrees that in the event that it does load quantities of "30" Diameter by Foot- Aluminized CMP (Pipes) (14 Gauge Type 2) by Foot in quantities greater than is listed on the purchase order for a specific order that that it will neither bill nor hold Madison County responsible for the quantity of "30" Diameter by Foot- Aluminized CMP (Pipes) (14 Gauge Type 2) that exceeds the purchase order amount.

COMPANY NAME: G+O Supply

ADDRESS: 2052 Forest AVE

JACKSON MS 39213

TELEPHONE: 601 364 7444

CELL PHONE NUMBER: 601 421 8926

EMAIL: dbroadwater@gosupplyinc.com

[Signature] 8/25/2020
AUTHORIZED REPRESENTATIVE'S SIGNATURE DATE

DAVIS M BROADWATER
PRINT AUTHORIZED REPRESENTATIVE'S NAME HERE

NOTE: ALL BID SHEETS MUST BE SIGNED AND DATED BY AN AUTHORIZED COMPANY REPRESENTATIVE.

SPECIFICATION FOR CORRUGATED METAL PIPE

ALUMINIZED STEEL TYPE 2

1.0 GENERAL

- 1.1 This specification covers the manufacture and installation of the Aluminized Steel Type 2 corrugated steel pipe or pipe-arch (CSP) detailed in the project plans.

2.0 DESIGN STANDARDS

- 2.1 The CSP meets the design parameters of the American Association of State Highway and Transportation Officials (AASHTO) Standard Specification for Highway Bridges, AASHTO LRFD Bridge Design, and/or the American Iron and Steel Institute (AISI).

3.0 MATERIAL

- 3.1 The Aluminized Steel Type 2 coils shall conform to the applicable requirements of AASHTO M 274 or ASTM A929.

4.0 PIPE

- 4.1 The CSP shall be manufactured in accordance with the applicable requirements of AASHTO M 36 or ASTM A760. The pipe sizes, gauges and corrugations shall be as shown on the project plans.
- 4.2 All fabrication of the product shall occur within the United States.

5.0 COUPLING BANDS

- 5.1 Coupling bands for the CSP shall be made of the same base metal and coatings as the CSP to a minimum of 18 gauge.
- 5.2 Ends of the CSP are rerolled with annular corrugations for proper indexing.
- 5.3 Connection fasteners will be provided.

6.0 HANDLING & ASSEMBLY

- 6.1 Refer to the recommendations of the National Corrugated Steel Pipe Association's (NCSPA).

7.0 INSTALLATION

- 7.1 The installation shall be in accordance with AASHTO Standard Specifications for Highway Bridges, LRFD Section 26, Division II, NCSPA, or ASTM A798 and in conformance with the project plans and specifications. If there are any inconsistencies or conflicts, the contractor must bring them to the attention of the project engineer.
- 7.2 It is always the contractor's responsibility to follow OSHA guidelines for safe practices.

8.0 CONSTRUCTION LOADS

- 8.1 Construction loads may be greater than design loads. The contractor shall follow the recommendations for additional compacted material per manufacturer's or NCSPA guidelines.

MADISON COUNTY BOARD OF SUPERVISORS

**SPECIFICATION SUBMITTAL SHEET
(NO PRICES)**

**TERM BID FOR PERIOD OCTOBER 1, 2020 – SEPTEMBER 30, 2021
24" Diameter by Foot – HDPE (Plastic Pipes)
TO PICKED UP BY MADISON COUNTY**

**SPECIFICATION SUBMITTAL SHEET
DEADLINE: SEPTEMBER 3, 2020 – 10:00 A.M.**

Vendors' specification submittal sheet (with no prices) will be received until 10:00 A.M. on Thursday, September 3, 2020. Vendors may submit their specification submittal sheets using either of the two following methods:

1. Electronically at <http://www.madison-co.com/bids>.
2. In a sealed envelope to the Madison County Chancery Clerk's office located in the Madison County Chancery Courthouse, Rooms 225-228, 146 West North Street, Canton, MS 39046. Specification submittal sheets submitted in paper form must have "Term Bids Specifications" written on the outside of the sealed envelope.

Vendors' term bid specification submittal sheets will be evaluated and vendors submitting acceptable specifications will be invited by email to submit priced bids via a live electronic reverse auction or sealed paper bids.

Final bidding for term bids will be held by live electronic reverse auctions on Tuesday, September 9, 2020 beginning at 10:00 A.M., with a scheduled ending time of 11:00 A.M. Qualified vendors can access the live reverse auction via the links distributed by email to qualified vendors. Anti-sniping will be utilized for the live electronic reverse auctions, which means that the bid deadline countdown will automatically reset to 5 minutes anytime a bid is received within the final 5 minutes of the reverse auction. The anti-sniping tool can extend the bid deadline multiple times until no bid is received in the final five minutes of the reverse auction.

Sealed bids may be submitted to the Madison County Chancery Clerk's office located in the Madison County Chancery Courthouse, Rooms 225-228, 146 West North Street, Canton, MS 39046 until 10:00 A.M. on Thursday, September 3, 2020. Sealed bids received by 10:00 A.M. on Tuesday, September 9, 2020 will be entered in the live electronic reverse auction by the county purchasing department. All paper bids must have "Term Bid" and "24" Diameter by Foot – HDPE (Plastic Pipes) and written on the outside of the sealed envelope.

NOTE: ALL FEDERAL TAXES AND FEES SHALL BE INCLUDED IN BID PRICES. ALL BID PRICES ARE LIMITED TO DOLLARS AND CENTS ONLY. NO FRACTIONS OF A CENT.

For use in determining if a vendor's location excludes it from participating in the reverse auction and in our calculations of lowest and best bid, note here the number of miles from your company plant to the Madison County Road Department:

20 Miles

The below signed company agrees that if it is awarded a Term Bid by the Madison County Board of Supervisors for 24" Diameter by Foot – HDPE (Plastic Pipes) that it will provide said product in a timely manner at the awarded term bid price for the duration of said term bid period. The below signed company further agrees that it will not load quantities of 24" Diameter by Foot – HDPE (Plastic Pipes) on Madison County trucks in an amount greater than is listed on the purchase order for each specific order. Furthermore, the below signed company agrees that in the event that it does load quantities of 24" Diameter by Foot – HDPE (Plastic Pipes) in quantities greater than is listed on the purchase order for a specific order that that it will neither bill nor hold Madison County responsible for the quantity of 24" Diameter by Foot – HDPE (Plastic Pipes) that exceeds the purchase order amount.

COMPANY NAME: GTO Supply

ADDRESS: 2052 FOREST AVE
JACKSON MS 39213

TELEPHONE: 601 366 7444

CELL PHONE NUMBER: 601 421 8926

EMAIL: dbroadwater@gosupplyinc.com

[Signature] 8/25/2020
AUTHORIZED REPRESENTATIVE'S SIGNATURE DATE

T. DAVIS M. BROADWATER
PRINT AUTHORIZED REPRESENTATIVE'S NAME HERE

NOTE: ALL BID SHEETS MUST BE SIGNED AND DATED BY AN AUTHORIZED COMPANY REPRESENTATIVE.

ADS N-12® ST IB PIPE (per ASTM F2648) SPECIFICATION

Scope

This specification describes 4- through 60-inch (100 to 1500 mm) ADS N-12 ST IB pipe (per ASTM F2648) for use in gravity-flow land drainage applications.

Pipe Requirements

ADS N-12 ST IB pipe (per ASTM F2648) shall have a smooth interior and annular exterior corrugations.

- 4- through 60-inch (100 to 1500 mm) shall meet ASTM F2648.
- Manning's "n" value for use in design shall be 0.012.

Joint Performance

Pipe shall be joined using a bell & spigot joint meeting ASTM F2648. The joint shall be soil-tight and gaskets, when applicable, shall meet the requirements of ASTM F477. Gaskets shall be installed by the pipe manufacturer and covered with a removable wrap to ensure the gasket is free from debris. A joint lubricant supplied by the manufacturer shall be used on the gasket and bell during assembly.

Fittings

Fittings shall conform to ASTM F 2306. Bell and spigot connections shall utilize a spun-on or welded bell and valley or saddle gasket meeting the soil-tight joint performance requirements of ASTM F 2306.

Material Properties

Material for pipe production shall be an engineered compound of virgin and recycled high density polyethylene conforming with the minimum requirements of cell classification 424420C (ESCR Test Condition B) for 4- through 10-inch (100 to 250 mm) diameters, and 435420C (ESCR Test Condition B) for 12- through 60-inch (300 to 1500 mm) diameters, as defined and described in the latest version of ASTM D3350, except that carbon black content should not exceed 4%. The design engineer shall verify compatibility with overall system including structural, hydraulic, material and installation requirements for a given application.

Installation

Installation shall be in accordance with ASTM D2321 and ADS recommended installation guidelines, with the exception that minimum cover in trafficked areas for 4- through 48-inch (100 to 1200 mm) diameters shall be one foot. (0.3 m) and for 60-inch (1500 mm) diameters, the minimum cover shall be 2 ft. (0.6 m) in single run applications. Backfill for minimum cover situations shall consist of Class 1 (compacted), or Class 2 (minimum 90% SPD) material. Maximum fill heights depend on embedment material and compaction level; please refer to Technical Note 2.02. Contact your local ADS representative or visit our website at www.ads-pipe.com for a copy of the latest installation guidelines.

Pipe Dimensions

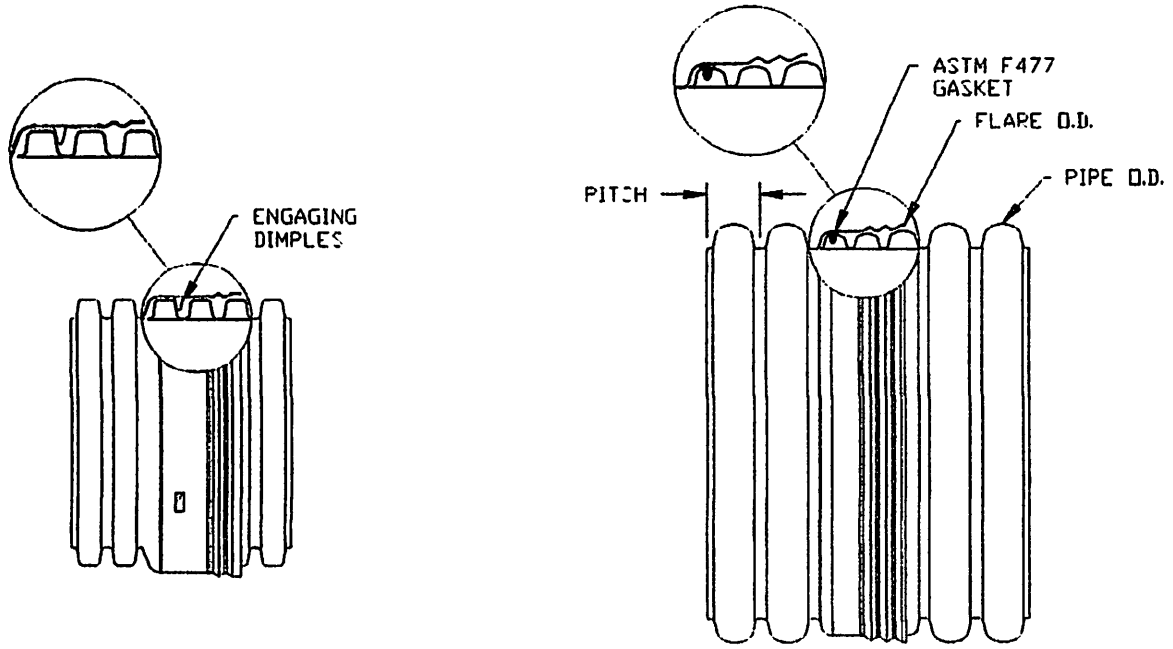
	Nominal Diameter, in (mm)													
Pipe I.D. in (mm)	4 (100)	6 (150)	8 (200)	10 (250)	12 (300)	15 (375)	18 (450)	24 (600)	30 (750)	36 (900)	42 (1050)	48 (1200)	54* (1350)	60 (1500)
Pipe O.D.** in (mm)	4.8 (122)	6.9 (175)	9.1 (231)	11.4 (290)	14.5 (368)	18 (457)	22 (559)	28 (711)	36 (914)	42 (1067)	48 (1219)	54 (1372)	61 (1549)	67 (1702)
Perforations	All diameters available with or without perforations.													

*Check with sales representative for availability by region.

**Pipe O.D. values are provided for reference purposes only, values stated for 12- through 60-inch are ± 1 Inch. Contact a sales representative for exact values.

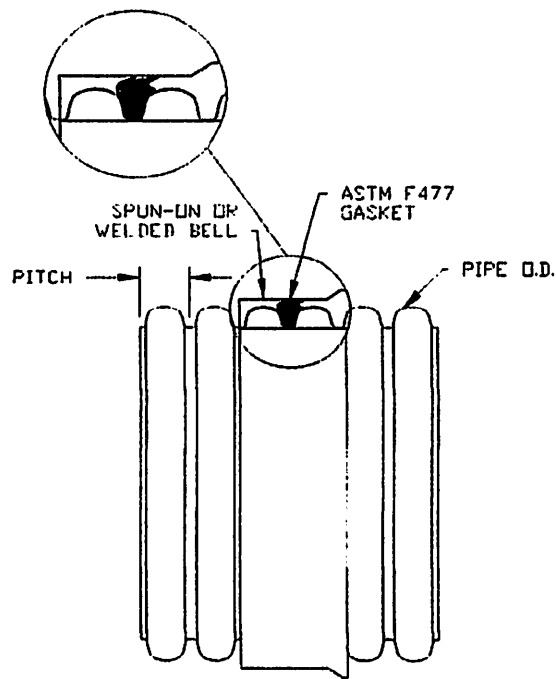
N-12[®] ST IB (per ASTM F2648) JOINT SYSTEM

(Joint configuration & availability subject to change without notice. Product detail may differ slightly from actual product appearance.)



4" - 10"
(100-250 MM)

12" - 60"
(300-1500 MM)



4" - 60"
(100-1500 MM)

MADISON COUNTY BOARD OF SUPERVISORS

**SPECIFICATION SUBMITTAL SHEET
(NO PRICES)**

**TERM BID FOR PERIOD OCTOBER 1, 2020 – SEPTEMBER 30, 2021
30" Diameter by Foot – HDPE (Plastic Pipes)
TO PICKED UP BY MADISON COUNTY**

**SPECIFICATION SUBMITTAL SHEET
DEADLINE: SEPTEMBER 3, 2020 – 10:00 A.M.**

Vendors' specification submittal sheet (with no prices) will be received until 10:00 A.M. on Thursday, September 3, 2020. Vendors may submit their specification submittal sheets using either of the two following methods:

1. Electronically at <http://www.madison-co.com/bids>.
2. In a sealed envelope to the Madison County Chancery Clerk's office located in the Madison County Chancery Courthouse, Rooms 225-228, 146 West North Street, Canton, MS 39046. Specification submittal sheets submitted in paper form must have "Term Bids Specifications" written on the outside of the sealed envelope.

Vendors' term bid specification submittal sheets will be evaluated and vendors submitting acceptable specifications will be invited by email to submit priced bids via a live electronic reverse auction or sealed paper bids.

Final bidding for term bids will be held by live electronic reverse auctions on Tuesday, September 9, 2020 beginning at 10:00 A.M., with a scheduled ending time of 11:00 A.M. Qualified vendors can access the live reverse auction via the links distributed by email to qualified vendors. Anti-sniping will be utilized for the live electronic reverse auctions, which means that the bid deadline countdown will automatically reset to 5 minutes anytime a bid is received within the final 5 minutes of the reverse auction. The anti-sniping tool can extend the bid deadline multiple times until no bid is received in the final five minutes of the reverse auction.

Sealed bids may be submitted to the Madison County Chancery Clerk's office located in the Madison County Chancery Courthouse, Rooms 225-228, 146 West North Street, Canton, MS 39046 until 10:00 A.M. on Thursday, September 3, 2020. Sealed bids received by 10:00 A.M. on Tuesday, September 9, 2020 will be entered in the live electronic reverse auction by the county purchasing department. All paper bids must have "Term Bid" and "30" Diameter by Foot – HDPE (Plastic Pipes)" and written on the outside of the sealed envelope.

NOTE: ALL FEDERAL TAXES AND FEES SHALL BE INCLUDED IN BID PRICES. ALL BID PRICES ARE LIMITED TO DOLLARS AND CENTS ONLY. NO FRACTIONS OF A CENT.

For use in determining if a vendor's location excludes it from participating in the reverse auction and in our calculations of lowest and best bid, note here the number of miles from your company plant to the Madison County Road Department:

20 Miles

The below signed company agrees that if it is awarded a Term Bid by the Madison County Board of Supervisors for 30" Diameter by Foot – HDPE (Plastic Pipes) that it will provide said product in a timely manner at the awarded term bid price for the duration of said term bid period. The below signed company further agrees that it will not load quantities of 30" Diameter by Foot – HDPE (Plastic Pipes) on Madison County trucks in an amount greater than is listed on the purchase order for each specific order. Furthermore, the below signed company agrees that in the event that it does load quantities of 30" Diameter by Foot – HDPE (Plastic Pipes) in quantities greater than is listed on the purchase order for a specific order that that it will neither bill nor hold Madison County responsible for the quantity of 30" Diameter by Foot – HDPE (Plastic Pipes) that exceeds the purchase order amount.

COMPANY NAME: G+O Supply

ADDRESS: 2052 FOREST AVE
JACKSON MS 39213

TELEPHONE: 601 366 7444

CELL PHONE NUMBER: 601 421 8926

EMAIL: dbroadwater@gosupplyinc.com

[Signature] 8/25/2020
AUTHORIZED REPRESENTATIVE'S SIGNATURE DATE

DAVIS M BROADWATER
PRINT AUTHORIZED REPRESENTATIVE'S NAME HERE

NOTE: ALL BID SHEETS MUST BE SIGNED AND DATED BY AN AUTHORIZED COMPANY REPRESENTATIVE.

ADS N-12® ST IB PIPE (per ASTM F2648) SPECIFICATION

Scope

This specification describes 4- through 60-inch (100 to 1500 mm) ADS N-12 ST IB pipe (per ASTM F2648) for use in gravity-flow land drainage applications.

Pipe Requirements

ADS N-12 ST IB pipe (per ASTM F2648) shall have a smooth interior and annular exterior corrugations.

- 4- through 60-inch (100 to 1500 mm) shall meet ASTM F2648.
- Manning's "n" value for use in design shall be 0.012.

Joint Performance

Pipe shall be joined using a bell & spigot joint meeting ASTM F2648. The joint shall be soil-tight and gaskets, when applicable, shall meet the requirements of ASTM F477. Gaskets shall be installed by the pipe manufacturer and covered with a removable wrap to ensure the gasket is free from debris. A joint lubricant supplied by the manufacturer shall be used on the gasket and bell during assembly.

Fittings

Fittings shall conform to ASTM F 2306. Bell and spigot connections shall utilize a spun-on or welded bell and valley or saddle gasket meeting the soil-tight joint performance requirements of ASTM F 2306.

Material Properties

Material for pipe production shall be an engineered compound of virgin and recycled high density polyethylene conforming with the minimum requirements of cell classification 424420C (ESCR Test Condition B) for 4- through 10-inch (100 to 250 mm) diameters, and 435420C (ESCR Test Condition B) for 12- through 60-inch (300 to 1500 mm) diameters, as defined and described in the latest version of ASTM D3350, except that carbon black content should not exceed 4%. The design engineer shall verify compatibility with overall system including structural, hydraulic, material and installation requirements for a given application.

Installation

Installation shall be in accordance with ASTM D2321 and ADS recommended installation guidelines, with the exception that minimum cover in trafficked areas for 4- through 48-inch (100 to 1200 mm) diameters shall be one foot. (0.3 m) and for 60-inch (1500 mm) diameters, the minimum cover shall be 2 ft. (0.6 m) in single run applications. Backfill for minimum cover situations shall consist of Class 1 (compacted), or Class 2 (minimum 90% SPD) material. Maximum fill heights depend on embedment material and compaction level; please refer to Technical Note 2.02. Contact your local ADS representative or visit our website at www.ads-pipe.com for a copy of the latest installation guidelines.

Pipe Dimensions

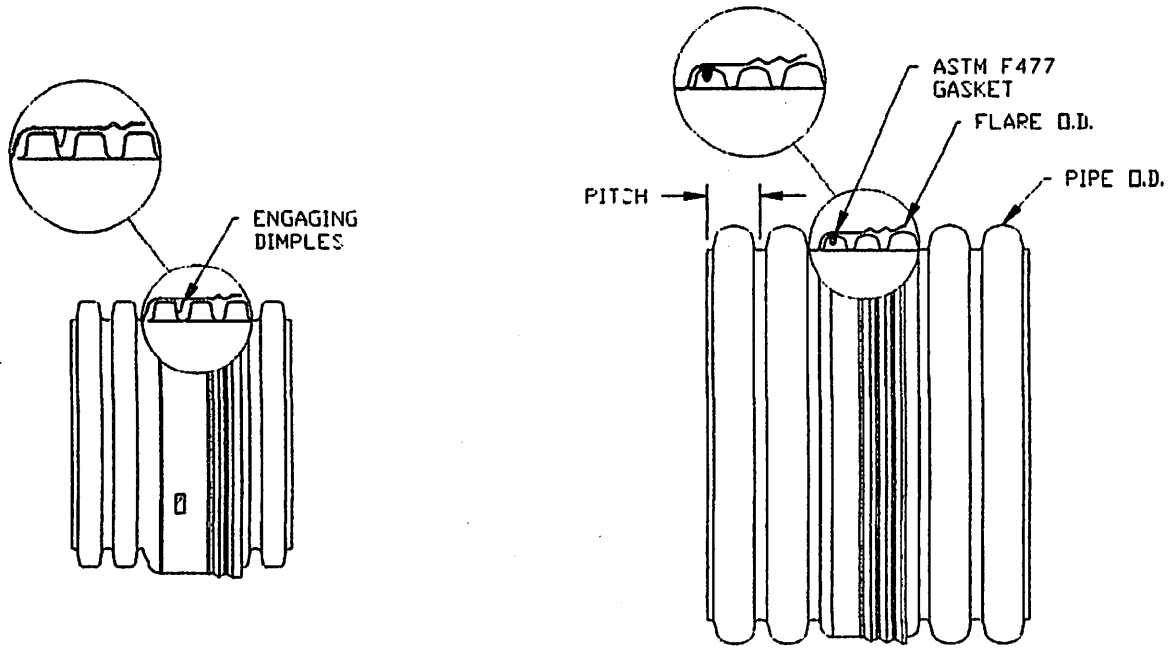
	Nominal Diameter, in (mm)													
Pipe I.D. in (mm)	4 (100)	6 (150)	8 (200)	10 (250)	12 (300)	15 (375)	18 (450)	24 (600)	30 (750)	36 (900)	42 (1050)	48 (1200)	54* (1350)	60 (1500)
Pipe O.D.** in (mm)	4.8 (122)	6.9 (175)	8.1 (207)	11.4 (290)	14.6 (368)	18 (457)	22 (559)	28 (711)	36 (914)	42 (1067)	48 (1219)	54 (1372)	61 (1548)	67 (1702)
Perforations	All diameters available with or without perforations.													

*Check with sales representative for availability by region.

**Pipe O.D. values are provided for reference purposes only, values stated for 12- through 60-inch are ± 1 inch. Contact a sales representative for exact values.

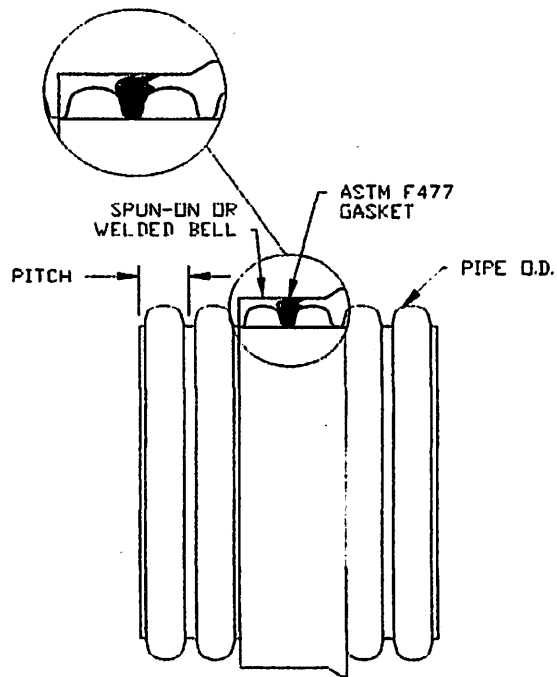
N-12[®] ST IB (per ASTM F2648) JOINT SYSTEM

(Joint configuration & availability subject to change without notice. Product detail may differ slightly from actual product appearance.)



4" - 10"
(100-250 MM)

12" - 60"
(300-1500 MM)



4" - 60"
(100-1500 MM)

MADISON COUNTY BOARD OF SUPERVISORS

**SPECIFICATION SUBMITTAL SHEET
(NO PRICES)**

**TERM BID FOR PERIOD OCTOBER 1, 2020 – SEPTEMBER 30, 2021
24” BAND – HDPE (Plastic Pipes)
TO PICKED UP BY MADISON COUNTY**

**SPECIFICATION SUBMITTAL SHEET
DEADLINE: SEPTEMBER 3, 2020 – 10:00 A.M.**

Vendors' specification submittal sheet (with no prices) will be received until 10:00 A.M. on Thursday, September 3, 2020. Vendors may submit their specification submittal sheets using either of the two following methods:

1. Electronically at <http://www.madison-co.com/bids>.
2. In a sealed envelope to the Madison County Chancery Clerk's office located in the Madison County Chancery Courthouse, Rooms 225-228, 146 West North Street, Canton, MS 39046. Specification submittal sheets submitted in paper form must have "Term Bids Specifications" written on the outside of the sealed envelope.

Vendors' term bid specification submittal sheets will be evaluated and vendors submitting acceptable specifications will be invited by email to submit priced bids via a live electronic reverse auction or sealed paper bids.

Final bidding for term bids will be held by live electronic reverse auctions on Tuesday, September 9, 2020 beginning at 10:00 A.M., with a scheduled ending time of 11:00 A.M. Qualified vendors can access the live reverse auction via the links distributed by email to qualified vendors. Anti-sniping will be utilized for the live electronic reverse auctions, which means that the bid deadline countdown will automatically reset to 5 minutes anytime a bid is received within the final 5 minutes of the reverse auction. The anti-sniping tool can extend the bid deadline multiple times until no bid is received in the final five minutes of the reverse auction.

Sealed bids may be submitted to the Madison County Chancery Clerk's office located in the Madison County Chancery Courthouse, Rooms 225-228, 146 West North Street, Canton, MS 39046 until 10:00 A.M. on Thursday, September 3, 2020. Sealed bids received by 10:00 A.M. on Tuesday, September 9, 2020 will be entered in the live electronic reverse auction by the county purchasing department. All paper bids must have "Term Bid" and "24" Band – HDPE (Plastic Pipes)" and written on the outside of the sealed envelope.

NOTE: ALL FEDERAL TAXES AND FEES SHALL BE INCLUDED IN BID PRICES. ALL BID PRICES ARE LIMITED TO DOLLARS AND CENTS ONLY. NO FRACTIONS OF A CENT.

For use in determining if a vendor's location excludes it from participating in the reverse auction and in our calculations of lowest and best bid, note here the number of miles from your company plant to the Madison County Road Department:

20 Miles

The below signed company agrees that if it is awarded a Term Bid by the Madison County Board of Supervisors for 24" Band – HDPE (Plastic Pipes) that it will provide said product in a timely manner at the awarded term bid price for the duration of said term bid period. The below signed company further agrees that it will not load quantities of 24" Band – HDPE (Plastic Pipes) on Madison County trucks in an amount greater than is listed on the purchase order for each specific order. Furthermore, the below signed company agrees that in the event that it does load quantities of 24" Band – HDPE (Plastic Pipes) in quantities greater than is listed on the purchase order for a specific order that that it will neither bill nor hold Madison County responsible for the quantity of 24" Band – HDPE (Plastic Pipes) that exceeds the purchase order amount.

COMPANY NAME: GTO Supply

ADDRESS: 2052 FOREST AVE
JACKSON MS 39213

TELEPHONE: 601 366 7444

CELL PHONE NUMBER: 601 421 8926

EMAIL: dbroadwater@gosupplyinc.com

[Signature] 8/25/2020
AUTHORIZED REPRESENTATIVE'S SIGNATURE DATE

DAVIS M BROADWATER
PRINT AUTHORIZED REPRESENTATIVE'S NAME HERE

NOTE: ALL BID SHEETS MUST BE SIGNED AND DATED BY AN AUTHORIZED COMPANY REPRESENTATIVE.

ADS N-12® ST IB PIPE (per ASTM F2648) SPECIFICATION

Scope

This specification describes 4- through 60-inch (100 to 1500 mm) ADS N-12 ST IB pipe (per ASTM F2648) for use in gravity-flow land drainage applications.

Pipe Requirements

ADS N-12 ST IB pipe (per ASTM F2648) shall have a smooth interior and annular exterior corrugations.

- 4- through 60-inch (100 to 1500 mm) shall meet ASTM F2648.
- Manning's "n" value for use in design shall be 0.012.

Joint Performance

Pipe shall be joined using a bell & spigot joint meeting ASTM F2648. The joint shall be soil-tight and gaskets, when applicable, shall meet the requirements of ASTM F477. Gaskets shall be installed by the pipe manufacturer and covered with a removable wrap to ensure the gasket is free from debris. A joint lubricant supplied by the manufacturer shall be used on the gasket and bell during assembly.

Fittings

Fittings shall conform to ASTM F 2306. Bell and spigot connections shall utilize a spun-on or welded bell and valley or saddle gasket meeting the soil-tight joint performance requirements of ASTM F 2306.

Material Properties

Material for pipe production shall be an engineered compound of virgin and recycled high density polyethylene conforming with the minimum requirements of cell classification 424420C (ESCR Test Condition B) for 4- through 10-inch (100 to 250 mm) diameters, and 435420C (ESCR Test Condition B) for 12- through 60-inch (300 to 1500 mm) diameters, as defined and described in the latest version of ASTM D3350, except that carbon black content should not exceed 4%. The design engineer shall verify compatibility with overall system including structural, hydraulic, material and installation requirements for a given application.

Installation

Installation shall be in accordance with ASTM D2321 and ADS recommended installation guidelines, with the exception that minimum cover in trafficked areas for 4- through 48-inch (100 to 1200 mm) diameters shall be one foot. (0.3 m) and for 60-inch (1500 mm) diameters, the minimum cover shall be 2 ft. (0.6 m) in single run applications. Backfill for minimum cover situations shall consist of Class 1 (compacted), or Class 2 (minimum 90% SPD) material. Maximum fill heights depend on embedment material and compaction level; please refer to Technical Note 2.02. Contact your local ADS representative or visit our website at www.ads-pipe.com for a copy of the latest installation guidelines.

Pipe Dimensions

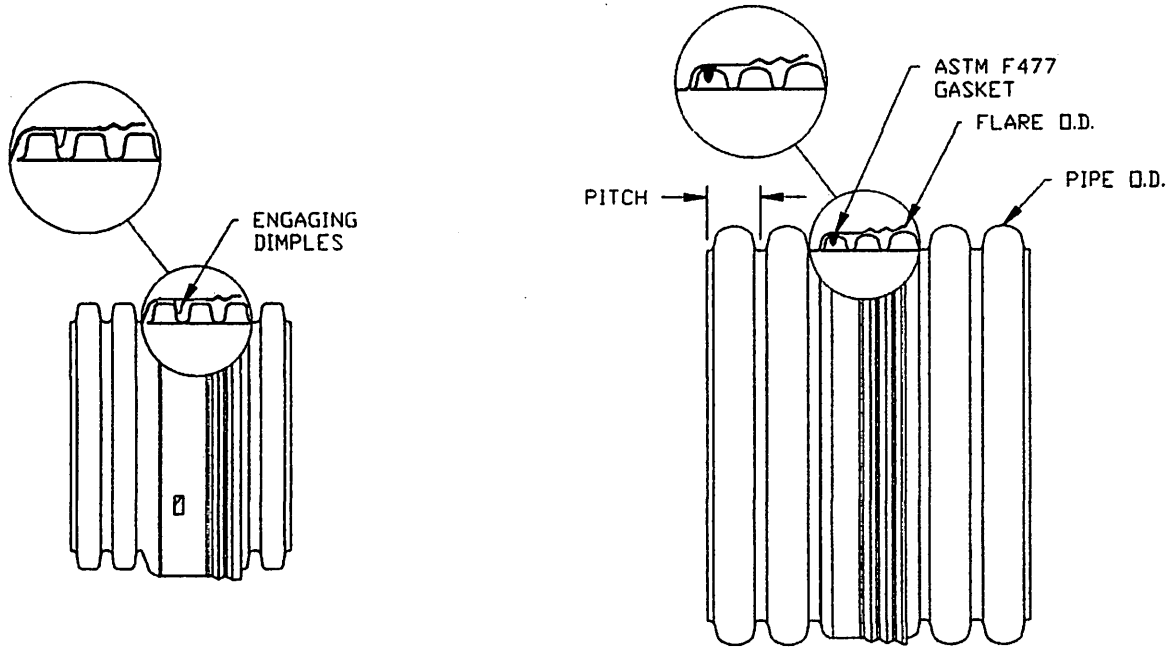
	Nominal Diameter, in (mm)													
Pipe I.D. in (mm)	4 (100)	6 (150)	8 (200)	10 (250)	12 (300)	15 (375)	18 (450)	24 (600)	30 (750)	36 (900)	42 (1050)	48 (1200)	54* (1350)	60 (1500)
Pipe O.D.** in (mm)	4.8 (122)	6.9 (175)	9.1 (231)	11.4 (290)	14.5 (368)	18 (457)	22 (559)	28 (711)	36 (914)	42 (1067)	48 (1219)	54 (1372)	61 (1549)	67 (1702)
Perforations	All diameters available with or without perforations.													

*Check with sales representative for availability by region.

**Pipe O.D. values are provided for reference purposes only, values stated for 12- through 60-inch are ± 1 inch. Contact a sales representative for exact values.

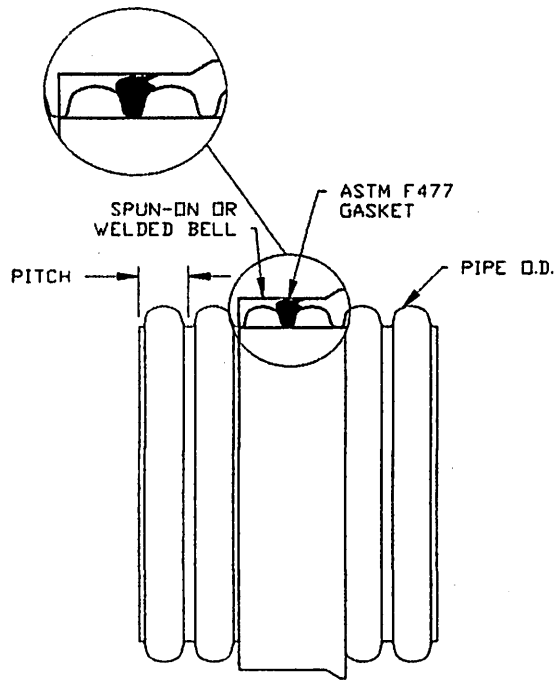
N-12® ST IB (per ASTM F2648) JOINT SYSTEM

(Joint configuration & availability subject to change without notice. Product detail may differ slightly from actual product appearance.)



4" - 10"
(100-250 MM)

12" - 60"
(300-1500 MM)



4" - 60"
(100-1500 MM)

MADISON COUNTY BOARD OF SUPERVISORS

**SPECIFICATION SUBMITTAL SHEET
(NO PRICES)**

**TERM BID FOR PERIOD OCTOBER 1, 2020 – SEPTEMBER 30, 2021
30" BAND – HDPE (Plastic Pipes)
TO PICKED UP BY MADISON COUNTY**

**SPECIFICATION SUBMITTAL SHEET
DEADLINE: SEPTEMBER 3, 2020 – 10:00 A.M.**

Vendors' specification submittal sheet (with no prices) will be received until 10:00 A.M. on Thursday, September 3, 2020. Vendors may submit their specification submittal sheets using either of the two following methods:

1. Electronically at <http://www.madison-co.com/bids>.
2. In a sealed envelope to the Madison County Chancery Clerk's office located in the Madison County Chancery Courthouse, Rooms 225-228, 146 West North Street, Canton, MS 39046. Specification submittal sheets submitted in paper form must have "Term Bids Specifications" written on the outside of the sealed envelope.

Vendors' term bid specification submittal sheets will be evaluated and vendors submitting acceptable specifications will be invited by email to submit priced bids via a live electronic reverse auction or sealed paper bids.

Final bidding for term bids will be held by live electronic reverse auctions on Tuesday, September 9, 2020 beginning at 10:00 A.M., with a scheduled ending time of 11:00 A.M. Qualified vendors can access the live reverse auction via the links distributed by email to qualified vendors. Anti-sniping will be utilized for the live electronic reverse auctions, which means that the bid deadline countdown will automatically reset to 5 minutes anytime a bid is received within the final 5 minutes of the reverse auction. The anti-sniping tool can extend the bid deadline multiple times until no bid is received in the final five minutes of the reverse auction.

Sealed bids may be submitted to the Madison County Chancery Clerk's office located in the Madison County Chancery Courthouse, Rooms 225-228, 146 West North Street, Canton, MS 39046 until 10:00 A.M. on Thursday, September 3, 2020. Sealed bids received by 10:00 A.M. on Tuesday, September 9, 2020 will be entered in the live electronic reverse auction by the county purchasing department. All paper bids must have "Term Bid" and "30" Band – HDPE (Plastic Pipe)" and written on the outside of the sealed envelope.

NOTE: ALL FEDERAL TAXES AND FEES SHALL BE INCLUDED IN BID PRICES. ALL BID PRICES ARE LIMITED TO DOLLARS AND CENTS ONLY. NO FRACTIONS OF A CENT.

For use in determining if a vendor's location excludes it from participating in the reverse auction and in our calculations of lowest and best bid, note here the number of miles from your company plant to the Madison County Road Department:

20 Miles

The below signed company agrees that if it is awarded a Term Bid by the Madison County Board of Supervisors for 30" Band - HDPE (Plastic Pipes) that it will provide said product in a timely manner at the awarded term bid price for the duration of said term bid period. The below signed company further agrees that it will not load quantities of 30" Band - HDPE (Plastic Pipes) on Madison County trucks in an amount greater than is listed on the purchase order for each specific order. Furthermore, the below signed company agrees that in the event that it does load quantities of 30" Band - HDPE (Plastic Pipes) in quantities greater than is listed on the purchase order for a specific order that it will neither bill nor hold Madison County responsible for the quantity of 30" Band - HDPE (Plastic Pipes) that exceeds the purchase order amount.

COMPANY NAME: Gto Supply

ADDRESS: 2052 FOREST AVE
JACKSON MS 39213

TELEPHONE: 601 366 7444

CELL PHONE NUMBER: 601 421 8926

EMAIL: dbroadwater@gosupplyinc.com

[Signature] AUTHORIZED REPRESENTATIVE'S SIGNATURE 8/25/2020 DATE

DAVIS M BROADWATER
PRINT AUTHORIZED REPRESENTATIVE'S NAME HERE

NOTE: ALL BID SHEETS MUST BE SIGNED AND DATED BY AN AUTHORIZED COMPANY REPRESENTATIVE.

ADS N-12® ST IB PIPE (per ASTM F2648) SPECIFICATION

Scope

This specification describes 4- through 60-inch (100 to 1500 mm) ADS N-12 ST IB pipe (per ASTM F2648) for use in gravity-flow land drainage applications.

Pipe Requirements

ADS N-12 ST IB pipe (per ASTM F2648) shall have a smooth interior and annular exterior corrugations.

- 4- through 60-inch (100 to 1500 mm) shall meet ASTM F2648.
- Manning's "n" value for use in design shall be 0.012.

Joint Performance

Pipe shall be joined using a bell & spigot joint meeting ASTM F2648. The joint shall be soil-tight and gaskets, when applicable, shall meet the requirements of ASTM F477. Gaskets shall be installed by the pipe manufacturer and covered with a removable wrap to ensure the gasket is free from debris. A joint lubricant supplied by the manufacturer shall be used on the gasket and bell during assembly.

Fittings

Fittings shall conform to ASTM F 2306. Bell and spigot connections shall utilize a spun-on or welded bell and valley or saddle gasket meeting the soil-tight joint performance requirements of ASTM F 2306.

Material Properties

Material for pipe production shall be an engineered compound of virgin and recycled high density polyethylene conforming with the minimum requirements of cell classification 424420C (ESCR Test Condition B) for 4- through 10-inch (100 to 250 mm) diameters, and 435420C (ESCR Test Condition B) for 12- through 60-inch (300 to 1500 mm) diameters, as defined and described in the latest version of ASTM D3350, except that carbon black content should not exceed 4%. The design engineer shall verify compatibility with overall system including structural, hydraulic, material and installation requirements for a given application.

Installation

Installation shall be in accordance with ASTM D2321 and ADS recommended installation guidelines, with the exception that minimum cover in trafficked areas for 4- through 48-inch (100 to 1200 mm) diameters shall be one foot. (0.3 m) and for 60-inch (1500 mm) diameters, the minimum cover shall be 2 ft. (0.6 m) in single run applications. Backfill for minimum cover situations shall consist of Class 1 (compacted), or Class 2 (minimum 90% SPD) material. Maximum fill heights depend on embedment material and compaction level; please refer to Technical Note 2.02. Contact your local ADS representative or visit our website at www.ads-pipe.com for a copy of the latest installation guidelines.

Pipe Dimensions

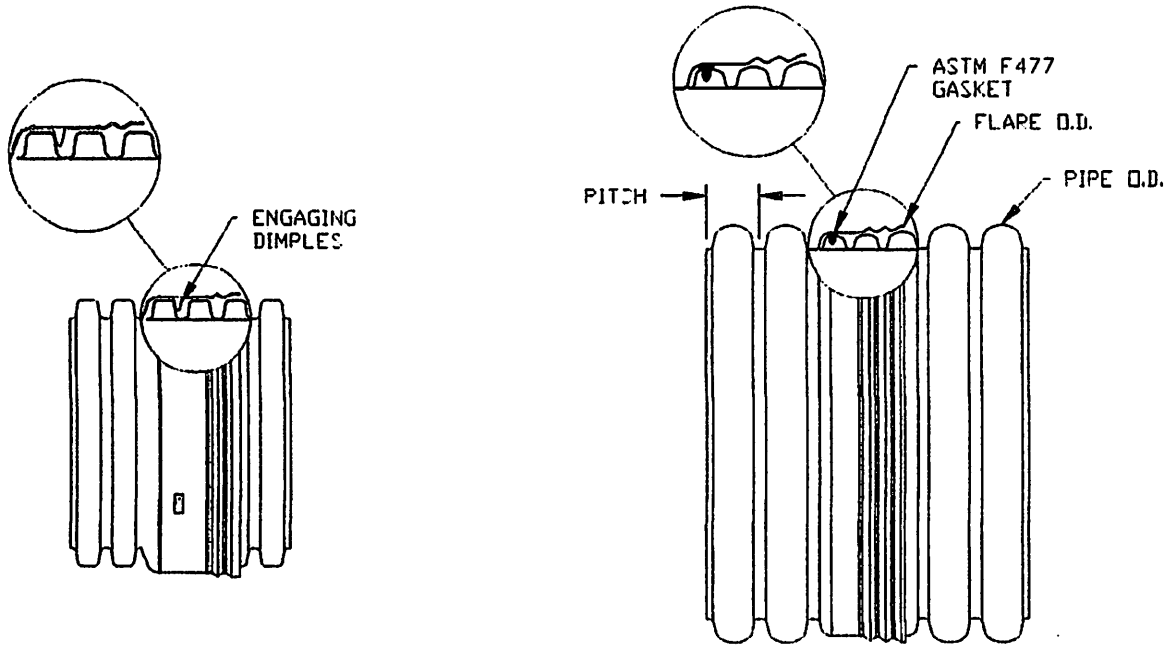
	Nominal Diameter, in (mm)													
Pipe I.D. in (mm)	4 (100)	6 (150)	8 (200)	10 (250)	12 (300)	15 (375)	18 (450)	24 (600)	30 (750)	36 (900)	42 (1050)	48 (1200)	54* (1350)	60 (1500)
Pipe O.D.** in (mm)	4.8 (122)	6.9 (175)	9.1 (231)	11.4 (290)	14.5 (368)	18 (457)	22 (559)	28 (711)	36 (914)	42 (1067)	48 (1219)	54 (1372)	61 (1549)	67 (1702)
Perforations	All diameters available with or without perforations.													

*Check with sales representative for availability by region.

**Pipe O.D. values are provided for reference purposes only, values stated for 12- through 60-inch are ± 1 inch. Contact a sales representative for exact values.

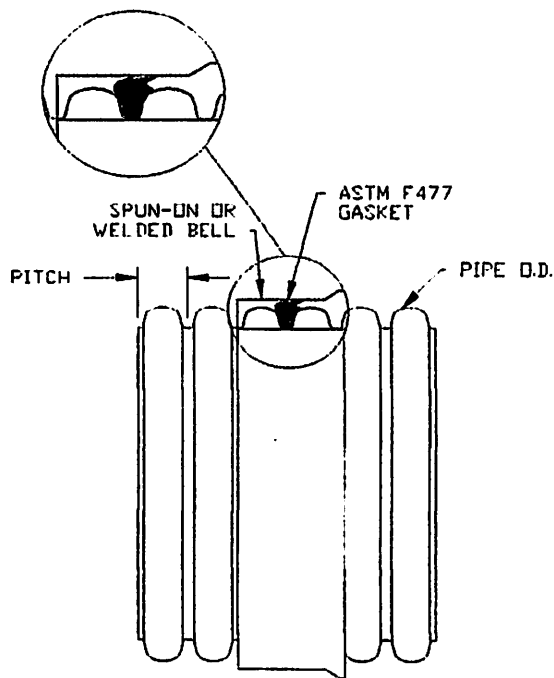
N-12® ST IB (per ASTM F2648) JOINT SYSTEM

(Joint configuration & availability subject to change without notice. Product detail may differ slightly from actual product appearance.)



4" - 10"
(100-250 MM)

12" - 60"
(300-1500 MM)



4" - 60"
(100-1500 MM)